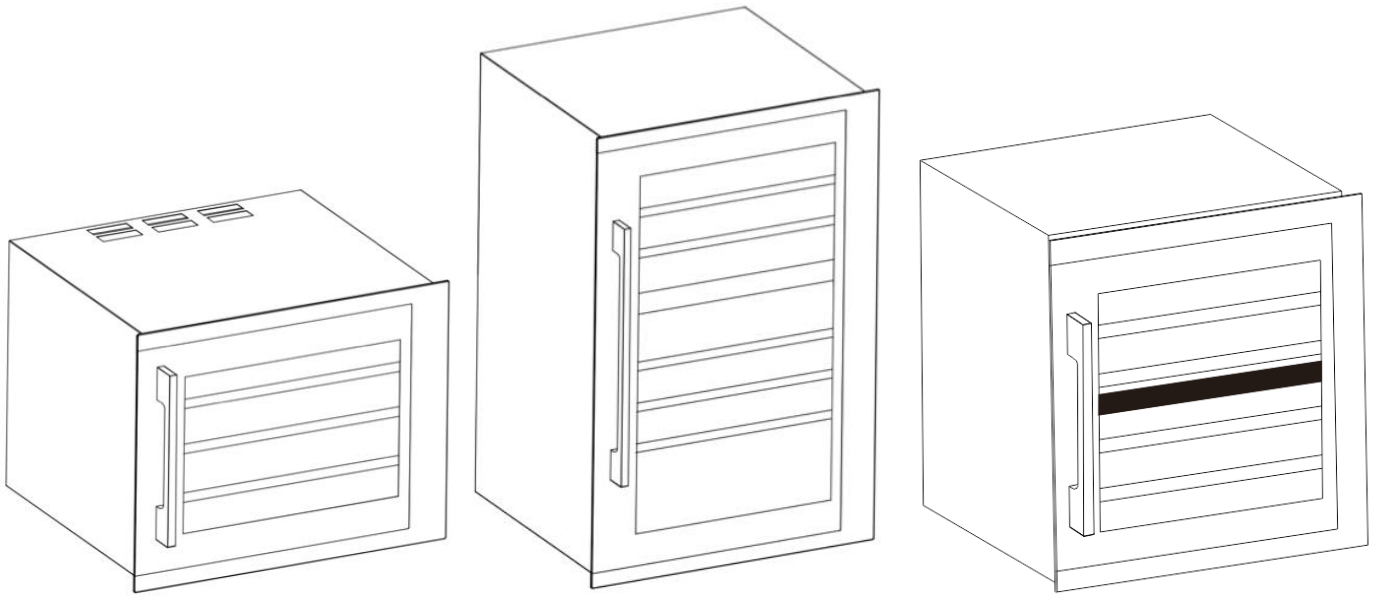


PeVino

WINE COOLER USER GUIDE



PeVino - PI24S-B

PeVino - PI24S-S

PeVino - PI48D-B

PeVino - PI48D-S

PeVino - PI30D-B

PeVino - PI30D-S

(Dansk: s. 22, Deutsch: s. 43)

These wine coolers are integrable and for built-in only!

WWW.PEVINO.COM

PeVino

THANK YOU FOR PURCHASING A PEVINO WINE COOLER.

BEFORE USE, PLEASE READ AND FOLLOW ALL SAFETY RULES AND OPERATING INSTRUCTIONS.

WARNING

The information in this document is subject to modification without any prior notice.

IMPORTANT SAFETY INSTRUCTIONS

To reduce the risk of fire, electrical shock, or injury when using your appliance, follow these basic precautions.

To prevent damaging the door gasket, make sure to have the door all the way opened when pulling shelves out of the rail compartment.

The appliance must be positioned so that the plug is accessible. Release the electric cord. Move your cabinet to its final location. Do not move your cabinet while loaded with wine.

If the power cord is damaged, it must be replaced by the manufacturer's service agent or a similarly qualified person in order to avoid a hazard.

This wine cooler is only for storage of wine.

This appliance is not intended for use by persons (including children) with reduced physical, sensory or mental capabilities, or lack of experience and knowledge, unless they have been given supervision or instruction concerning use of the appliance by a person being responsible for their safety.

This appliance is intended to be used in household and similar applications such as

- staff kitchen areas in shops, offices and other working environments;
- farm houses and by clients in hotels, motels and other residential type environments;
- bed and breakfast type environments;
- catering and similar non-retail applications.

PeVino

DANGER / WARNING

Discarded or abandoned appliances are dangerous. Even if they will “just sit in the garage a few days”.

Before discarding your old wine cooler: remove the door completely. Never allow children to operate, play with, or crawl inside the appliance.

Never clean appliance with flammable fluids. The fumes can create a fire hazard or explosion. Do not store or use any other flammable liquids in the vicinity of this or any other appliance. The fumes can create a fire hazard or explosion.

DANGER: Risk of child entrapment. Before you throw away your old wine chiller:

- Take off the doors;
- Leave the shelves in place so that children may not easily climb inside;
- When disposing of the appliance, do so only at an authorized waste disposal centre.

R600a WARNINGS:

For your safety observe the following recommendations.

This appliance contains a small quantity of R600a refrigerant which is environmentally friendly, but flammable. It does not damage the ozone layer, nor does it increase the greenhouse effect.

During transportation and installation, ensure that the tubing of the refrigerant circuit is not damaged.

Avoid using or manipulating sharp objects near by the appliances.

Leaking refrigerant can ignite and may damage the eyes.

In the event any damage does occur, avoid exposure to open fires and any device which creates a spark. Disconnect the appliance from the mains power.


Thoroughly ventilate the room in which the appliance is located for several minutes.

Notify Customer Service for necessary action and advice.

The room for installing the appliance must be at least 1 cubic metre per 8 grams of refrigerant. The refrigerant quantity contained in this appliance is listed above in grams; it is also noted on the Rating Plate of the appliance.

WARNING: To avoid a hazard due to instability of the appliance, it must be fixed in accordance with the instructions.



The symbol  is a warning and indicates the refrigerant and insulation blowing gas are flammable.

Warning: Risk of fire / flammable materials

WARNING — Do not store explosive substances such as aerosol cans with a flammable propellant in this appliance.

WARNING —When positioning the appliance, ensure the supply cord is not trapped or damaged.

WARNING —Do not locate multiple portable socket-outlets or portable power supplies at the rear of the appliance.

WARNING — The refrigerant and insulation blowing gas are flammable. When disposing of the appliance, do so only at an authorized waste disposal centre. Do not expose to flame.

It is hazardous for anyone other than an Authorised Service Person to carry out servicing or repairs to this appliance.

WARNING: Keep ventilation openings in the appliance enclosure or in the built-in structure clear of obstruction.

WARNING: Do not use mechanical devices or other means to accelerate the defrosting process, other than those recommended by the manufacturer.

WARNING: Do not damage the refrigerant circuit.

PeVino

WARNING: Do not use electrical appliances inside the food storage compartments of the appliance, unless they are of the type recommended by the manufacturer.

WARNING: If you do not use the machine for a long time, please unplug the power plug from the socket or switch off the power supply.

WARNING: This appliance is not intended for use by persons (including children) with reduced Physical, sensory or mental capabilities, or lack of experience and knowledge, unless they have been given supervision or instruction concerning use of the appliance by a person responsible for their safety;

WARNING: Children should be supervised to ensure that they do not play with the appliance;

WARNING: Do not use extension cords or ungrounded (two prong) adapters;

WARNING: If the supply cord is damaged, it must be replaced by the manufacturer, Its service agent or similar qualified person in order to avoid hazard.

KEEP THESE INSTRUCTIONS FOR ANY FUTURE USE

BEFORE LOADING AND PLUGGING IN THE WINE COOLER

Before using your wine cooler

- Remove the exterior and interior packaging.
- Before connecting the wine cooler to power source, let it stand upright for approximately 6 hours. This will reduce risk of a malfunction in the cooling system from handling during transportation.
- Clean interior surface with lukewarm water by using a soft cloth.
- When replacing the illuminating lamp, please select a lamp similar to the original. Shut off the power supply before replacing the lamp.

Installation of your wine cooler

- Place your wine cooler on a surface strong enough to support it when fully loaded. Level your wine cooler by adjusting the levelling legs at the bottom front of the wine cooler.
- Place the wine cooler away from direct sunlight and sources of heat (stove, heater, radiator, etc.). Direct sunlight may affect the acrylic coating and heat sources may increase energy consumption.
- Extreme cold ambient temperatures may also cause the unit not to perform properly.
- Avoid locating the unit in moist areas.
- Plug the wine cooler into a properly installed wall outlet. Any questions concerning power should be directed toward a certified electrician or an authorized products service center.

Pay attention to this

- Store wine in sealed bottles.
- Do not overload the wine cooler.
- Do not open door unless needed.
- Do not cover shelves with aluminium foil or any other material that may prevent air circulation.
- Should the wine cooler be stored unused for a longer period of time, it is advised, after a good cleaning, to leave the door ajar to allow air to circulate inside the cabinet in order to avoid possible formation of condensation, mold or odours.
- The carbon filter should be cleaned and dried at least once a year.

PeVino

LEVELLING THE WINE COOLER

ALL wine coolers must be levelled before loading with wine. Your wine cooler is equipped with four adjustable feet to facilitate easy levelling. It is recommended that you tighten the back feet to the maximum and adjust the front feet to level the wine cooler.

INSTALLATION INSTRUCTIONS FOR INTEGRABLE WINE COOLER: *FRONT VENTING WINE COOLER ONLY.*



1. Integrable wine coolers are front venting and NOT designed to be fully integrated behind a joinery door.
2. Please follow the installation diagram when installing the wine cooler. No less than the minimum installation dimension.
3. The wine cooler draws air from the right side of the ventilation frame and expel through the left side of the ventilation frame under the front door.
4. The wine cooler has a power switch located on the control panel.
5. The wine cooler requires a standard 240 volt/10 A. power supply. (Or accordingly to different countries specifications).
6. The power cord is 200 cm. in length and fixed on the right side at the back.
7. As with most appliances of today, the wine cooler has sensitive electronic components which are susceptible to damage through lightning and electricity supply faults. It is therefore advised to use a power surge protector to avoid problems of this nature.

In warm climate zones, an air vent or grid, with a minimum ventilation size of 200mm x 50mm MUST be cut out at the rear top of the back cabinet or at the top of either side of the cabinet, allowing cool fresh air full access to flow into the 30mm gap located at the rear of the cabinet.

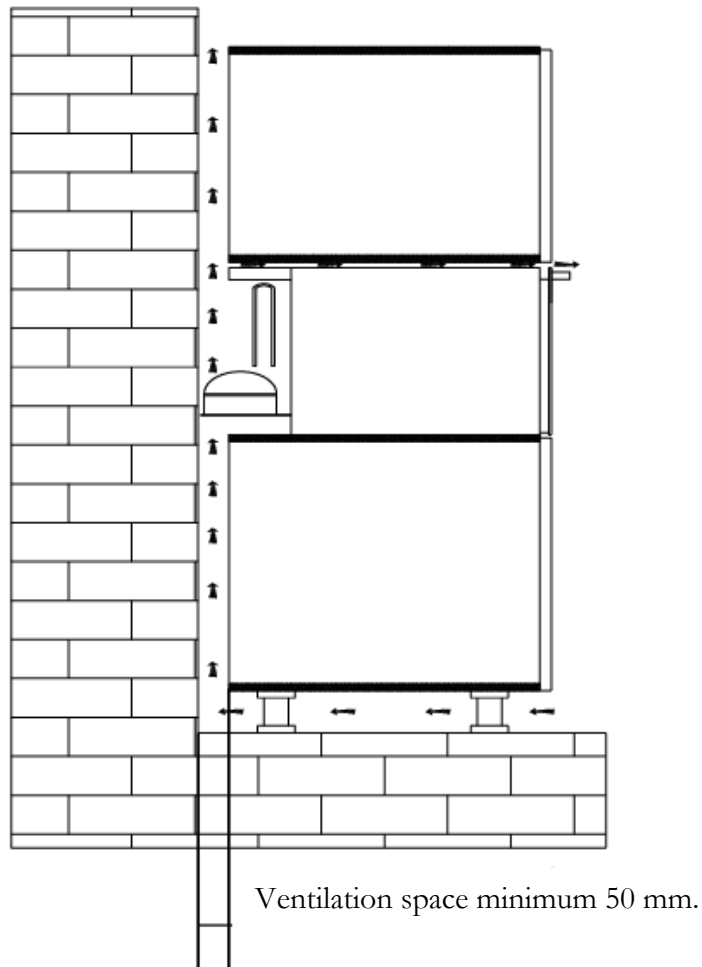
This air vent or grid must not be open towards the same side as other appliances such as ovens. Nor can an opening be towards an area that is sealed and without access to fresh cool air. Failing to comply with the above specifications will result in WARRANTY void.

NOTE: The appliance must be positioned so that the outlet and plug is accessible after installation.

PeVino

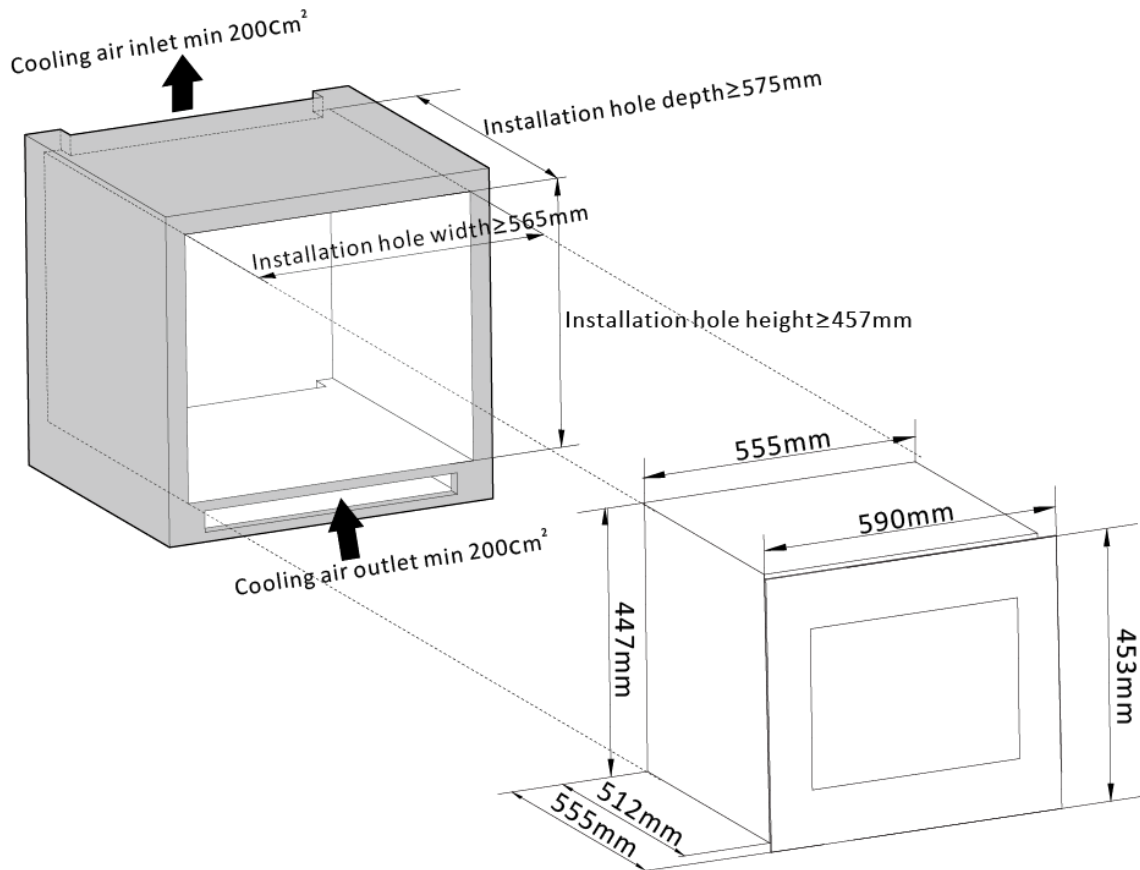
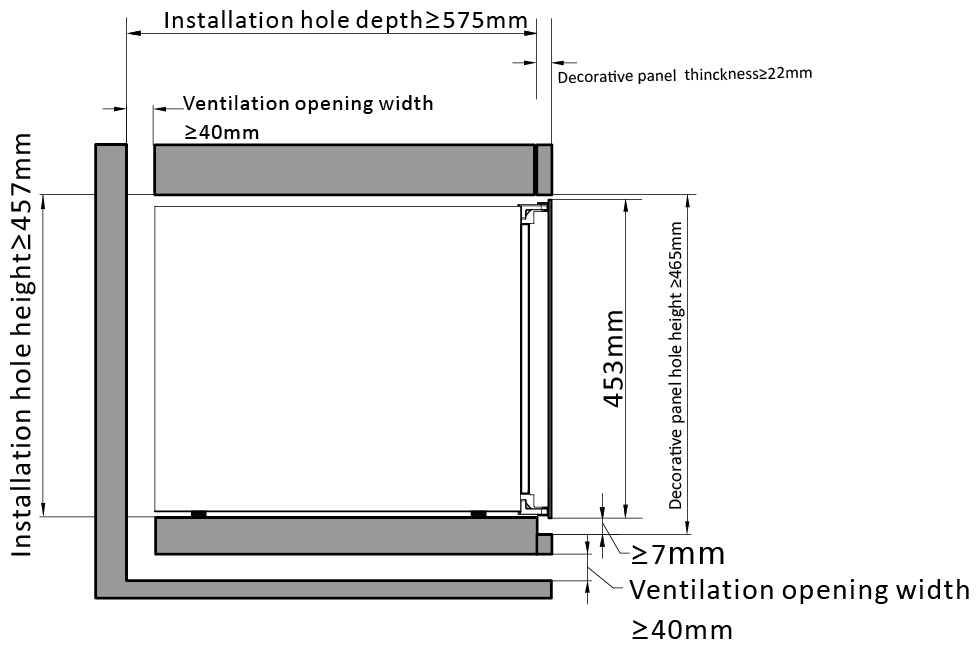
INSTALLATION DIAGRAM

This is an integrable wine cooler to be installed inside a cabinet. The cabinet must be with good ventilation space and no back panel, otherwise it will affect the wine cooler's ability to function normally. Please follow the installation diagram.

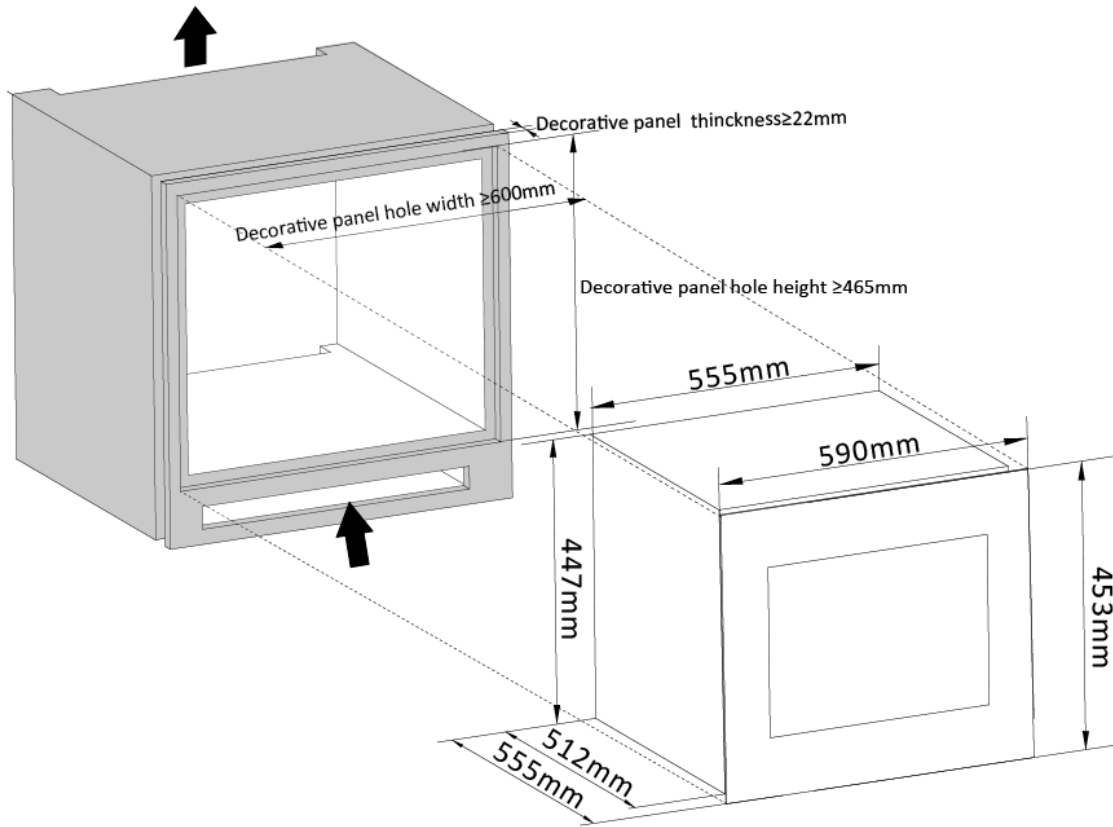


PeVino

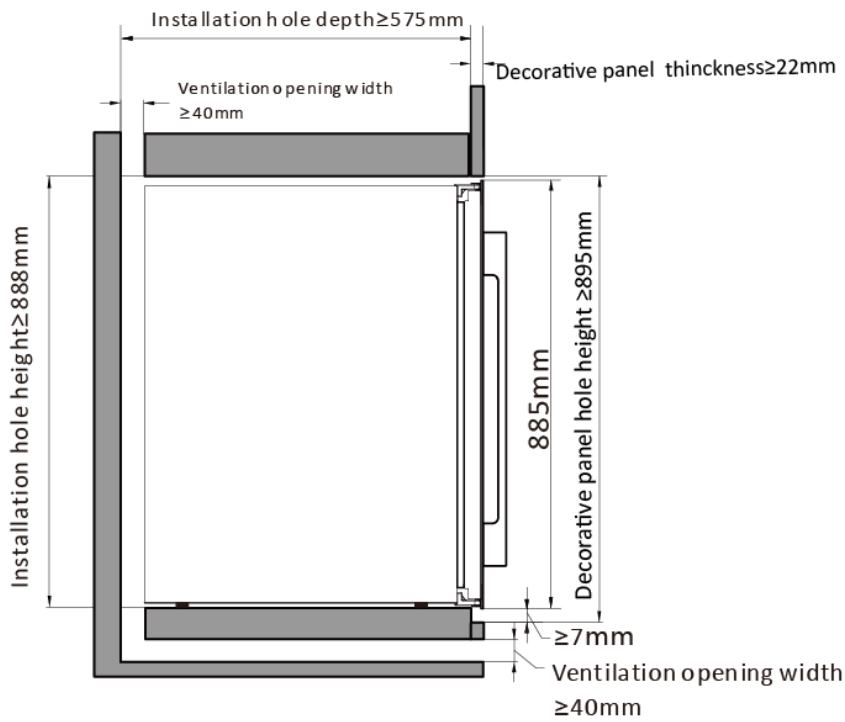
PeVino PI24S-B and PI24S-S



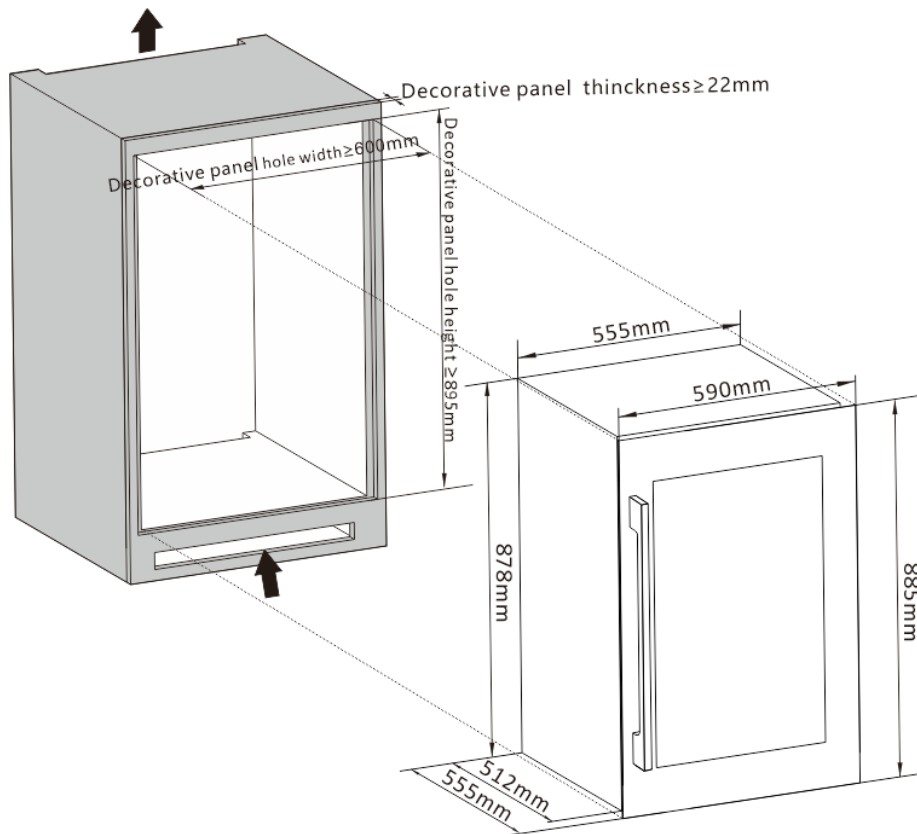
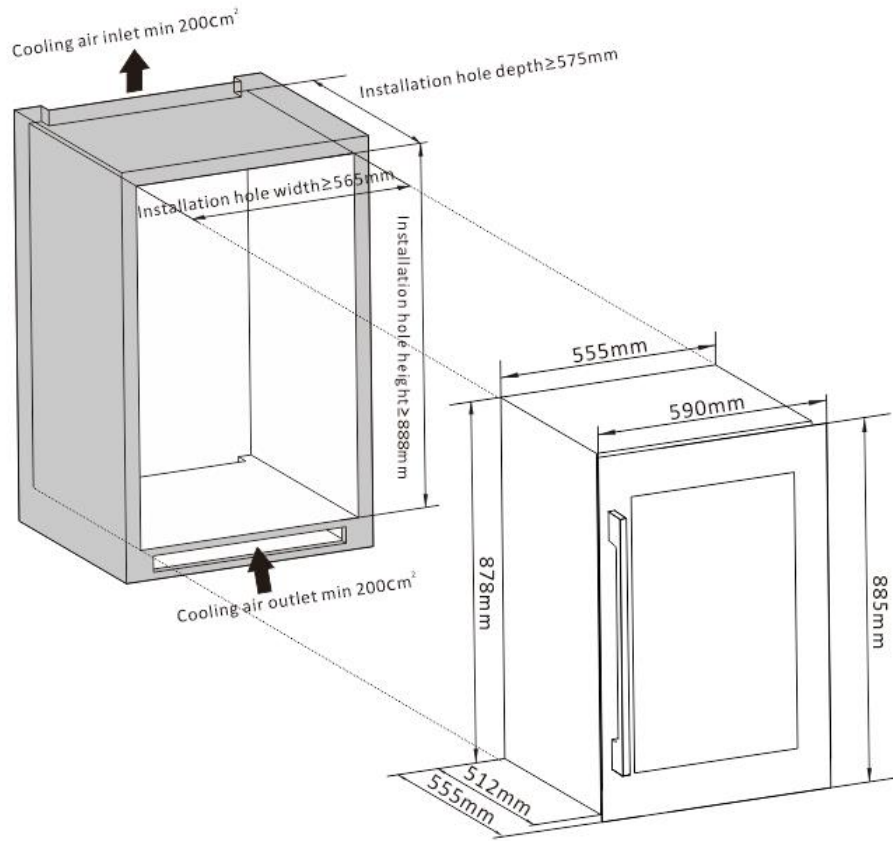
PeVino



PeVino PI48D-B and PI48D-S

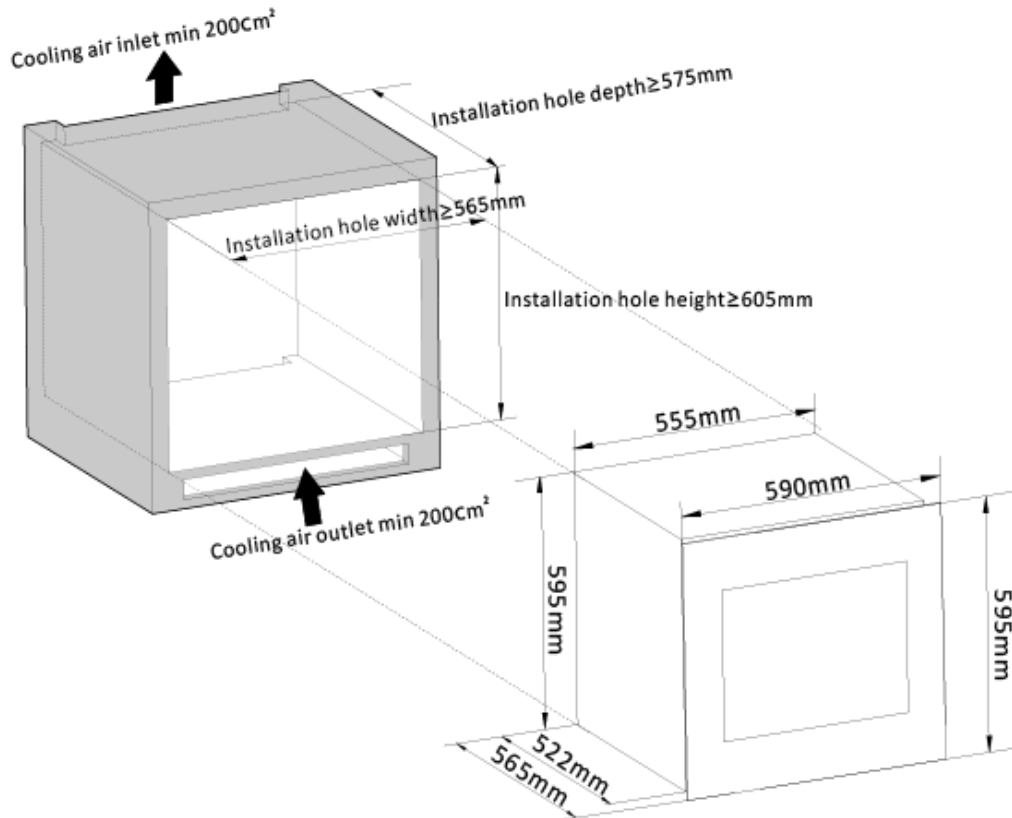
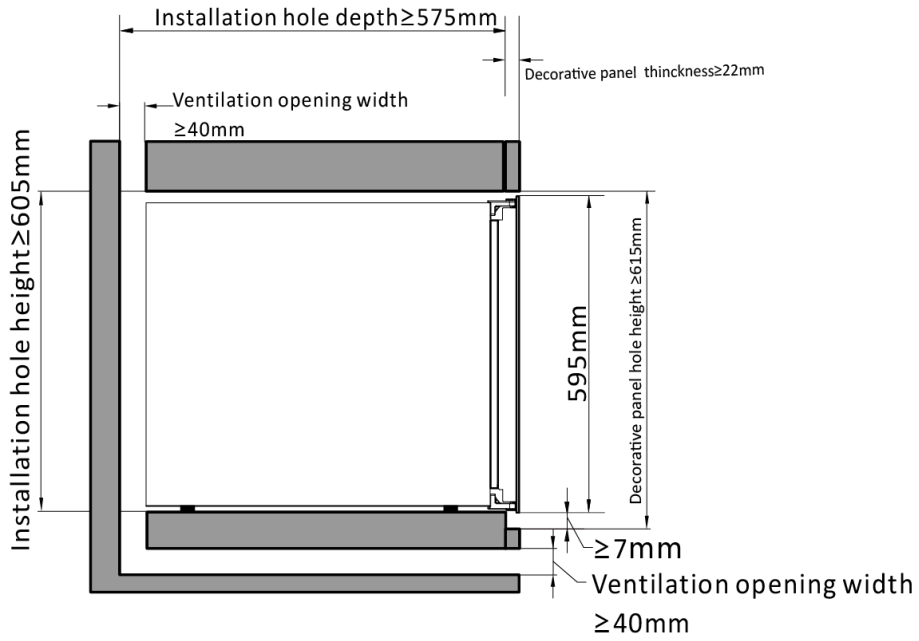


PeVino

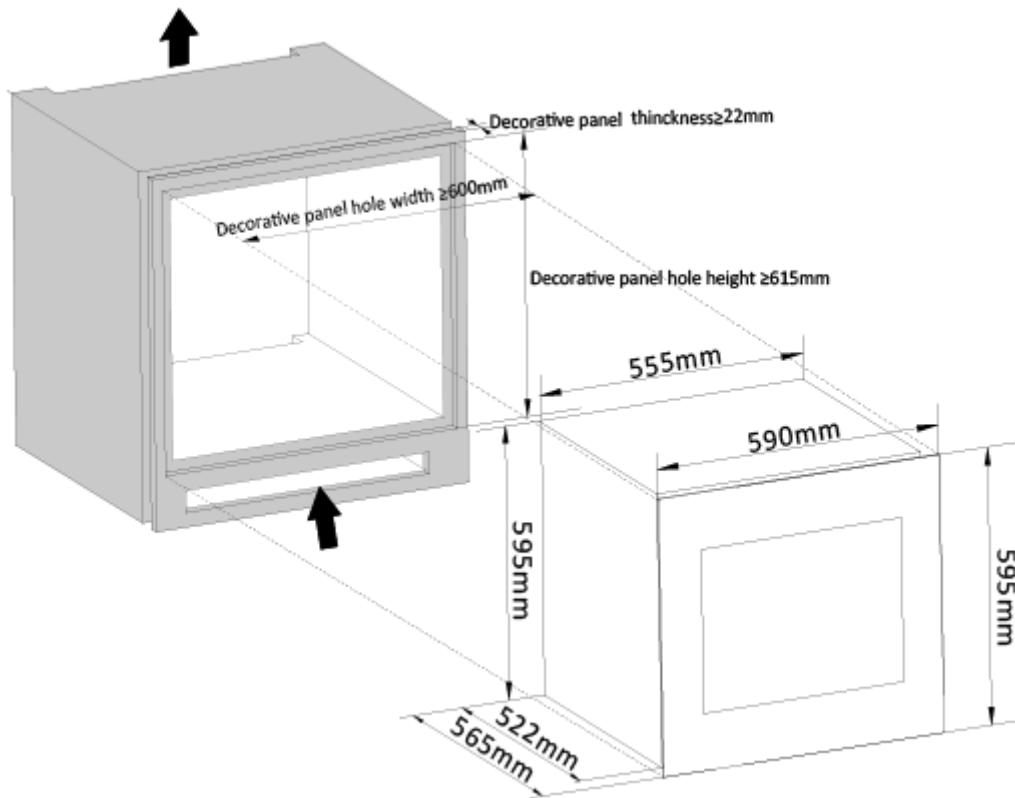


PeVino

PeVino PI30D-BP and PI30D-WP



PeVino

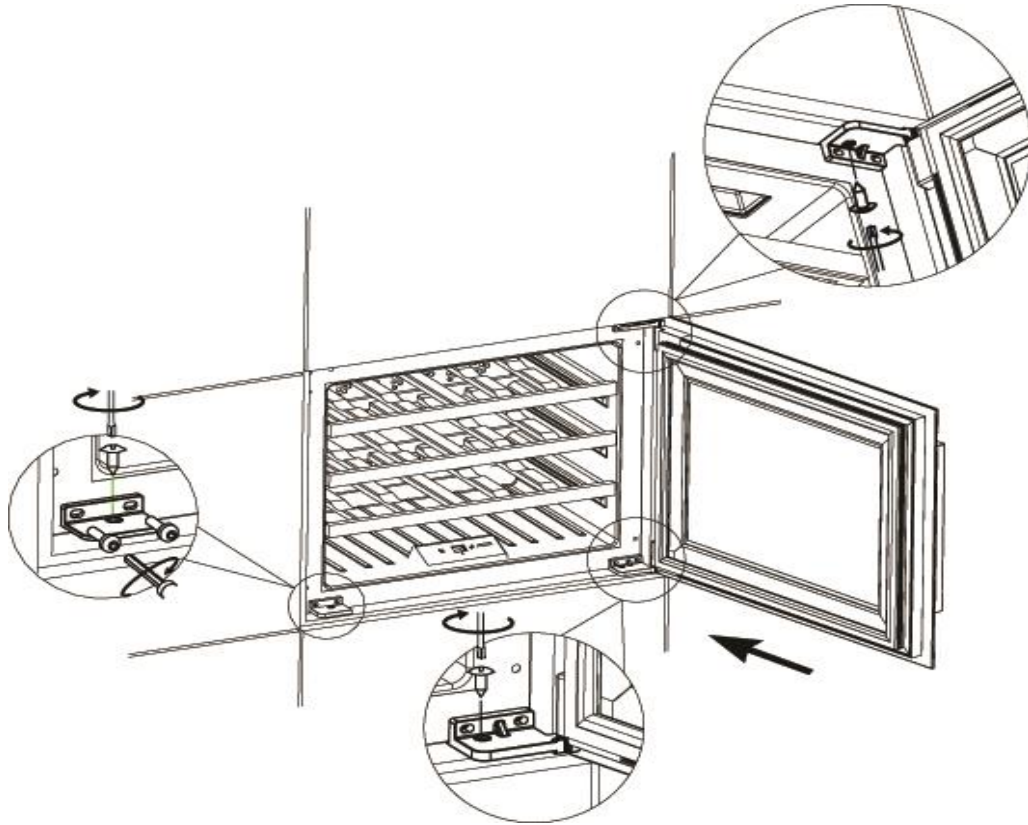


INSTALLING IN CABINET

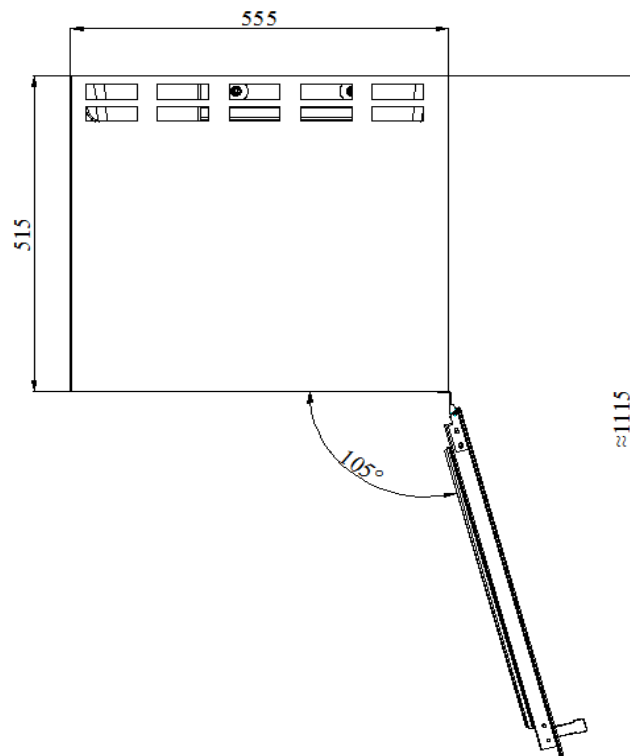
1. Place the wine cooler in the cabinet and adjust it to place it in perfect level.
2. Open the door, take out the accessory bag with the fixing plate, 2 inner hex screws and hex key. Now use the hex key to tighten the fixing plate onto the lower left side of wine cooler.
3. Take 3 Phillips screws from the accessory bag. Use a Phillips screwdriver (not included) to screw the fixing plate onto the cabinet at the lower left side of the wine cooler using one Phillips screw. Then tighten the other 2 Phillips screws onto the cabinet at the upper door hinge and lower door hinge.

(Notice: If the door has been reversed, the above instructions are to be followed mirrored/inverted. See how to reverse the door in this manual.)

PeVino



DOOR OPENING ANGLE AND DIMENSIONS



PeVino

TURNING ON YOUR WINE COOLER

Plug in and switch on the unit by pressing the power button **for a few seconds**.

When you use the wine cooler for the first time (or restart the wine cooler after having it shut off for a long period), there will be a few degrees variance between the temperature you have selected and the one indicated on the LED display. This is normal and it is due to the length of the activation time. Once the wine cooler is running for a few hours everything will stabilize.

Important: If the unit is unplugged, power is lost, or turned off, wait 3 to 5 minutes before restarting the unit. The wine cooler will not start if you attempt to restart before this time delay.

OPERATING NOISES

To obtain the desired temperature settings, this wine cooler, like all wine coolers operating with compressors and fans, may produce the following types of noises.

The noises are normal and may occur as follows:

Gurgling and hissing sound - caused by the refrigerant flowing through the appliance's pipes and nozzles.

Cracking/popping sounds - resulting from the contraction and expansion of the refrigerant gas to produce cold.

Fan operating sound - to circulate the air inside the wine cooler.

LOADING YOUR WINE COOLER

You may load your wine bottles in single or double rows while taking the following into consideration: If you do not have enough bottles to fill your wine cooler entirely, it is better to distribute the load evenly throughout the wine cooler so as to avoid "all on top" or "all below" type loads.

You can remove or relocate adjustable wooden shelves to accommodate larger type of bottles or increase the capacity of the cabinet by stacking the bottles up when necessary. (See: Removing shelves)

Keep small gap between the interior walls and the bottles to allow air circulation. Like an underground cellar air circulation is important to prevent mould and for a better homogeneous temperature within the cellar.



Do not overload your wine cooler.

Avoid obstructing the internal fans (located inside on the back panel of the wine cooler).

Avoid pulling the shelves outwards beyond the fixed position due to risk of the bottles from falling.

Do not pull out more than one loaded shelf at a time as this may cause the wine cooler to tilt forward.

Do not cover the wooden shelves with aluminium foil or other materials, as it will obstruct air circulation.

Do not move your wine cooler while it is loaded with bottles. This might distort the cabinet of the wine cooler.

After the first loading

Please note that depending on the loading and settings chosen it takes about 24 hours for the wine cooler to see the temperature stabilizing.

During this time the LED-temperature display seems to move erratically. This is normal and this process occurs whenever the setting is modified and/or whenever a large number of bottles are added to the cellar.

PeVino

TEMPERATURE SETTINGS

Important: The LED-display indicates by default the actual internal air temperature.

The electrical circuit board of all models comes with memory function. All settings will return to the pre-set temperature after power is restored.

NOTICE!

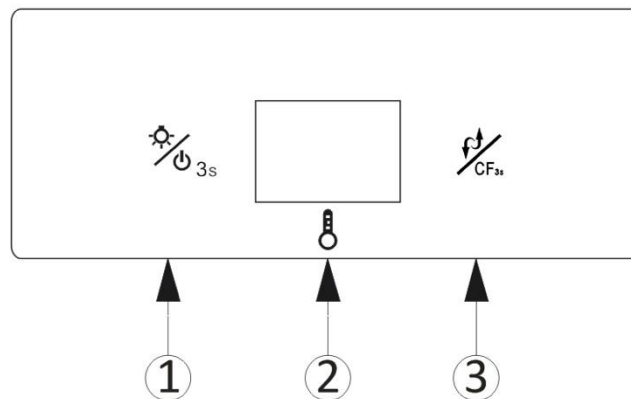
It is important to understand that there is a difference between the air temperature inside the wine cooler and the actual temperature of the wine.

Once the temperature is set, it is strongly advised to let it settle and not adjusting it frequently. You will need to wait approximately 24 hours before noticing the effects of temperature adjustment due to the mass, volume and density of a full wine cooler.

The thermostat will maintain the temperature inside the wine cooler within a +/- 2.5°C range. But the thermal inertia of the wine and the glass is such that within this temperature range, the actual temperature of the wine will only fluctuate 0.5°C to 1°C.

DISPLAY BOARD - OPERATING INSTRUCTIONS

For PI24S-B and PI24S-S



○,1 Power and light:

In standby mode: Press and hold for 3 seconds. Power is turned on and the system starts.

When running: Short press this button. LED lights on/off.

When running: Press and hold for 3 seconds. Power is turned off and the system stops.

○,2 Display:

Indicates the actual temperature inside the wine cooler.

○,3 Temperature setting (circular function):

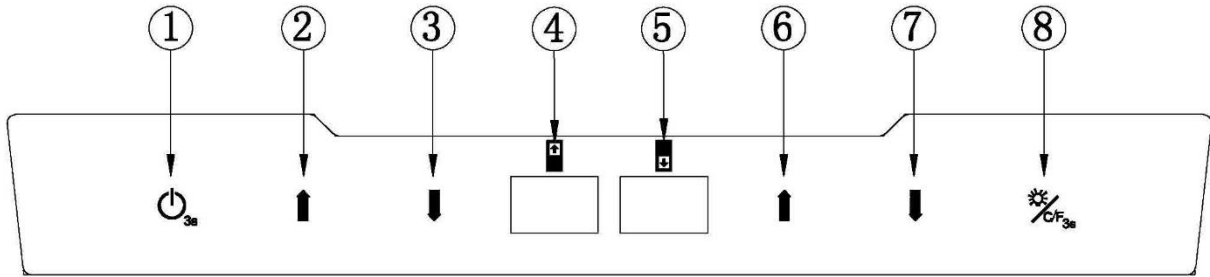
At each press on this button, the temperature inside will drop 1°C, until arriving at lowest possible setting, and then a return to the highest temperature. You can continue this in a circular interval within the range of available temperature settings.

○,3 °C/°F display conversion:

Set the displayed temperature to degrees Celsius or Fahrenheit at each press on this button.


PeVino

For PI48D-B and PI48D-S



○,1  **Power “on/off”:**

Press the button 3 seconds to turn power off (Display ○,4 will count down: 3 - 2 - 1). Press again (without delay) to turn on the power.

○,2  **Upper zone temperature setting UP:**

Press one time and the display ○,4 set value will increase 1 degree Celsius.

○,3  **Upper zone temperature setting DOWN:**

Press one time and the display ○,4 set value will reduce 1 degree Celsius.

○,4  **Display:**

Indicates upper zone temperature.

○,5  **Display:**

Indicates lower zone temperature.

○,6  **Lower zone temperature setting up UP:**


Press one time and the display ○,5 set value will increase 1 degree Celsius.

○,7  **Lower zone temperature setting DOWN:**

Press one time and the display ○,5 set value will reduce 1 degree Celsius.

○,8  **Light on/off:**

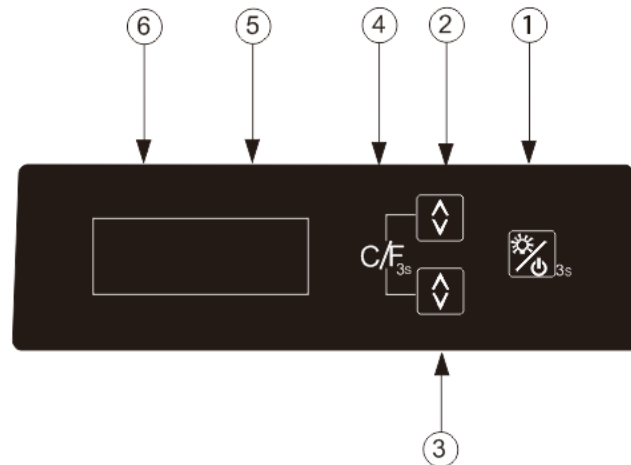
Press the button and the light turns on or off.

○,8  **°C/°F display conversion:**

Set the displayed temperature to degrees Celsius or Fahrenheit at each press on this button.

PeVino

For PI30D-BP and PI30D-WP



① Lamp & Power Button:

When power cord connected: press and hold for 3 seconds, power is turned on, the machine starts. In the machine power-on-state: press this button, LED lights on; Press once again, LED lights off. In the machine power-on-state: press and hold for 3 seconds, power is turned off, the machine is off.

② Upper zone temperature setting button:

Setting the upper zone temperature in window from 10 to 20 degree Celsius, by each single touch

③ Lower zone temperature setting button:

Setting the lower zone temperature in window from 5 to 12 degree Celsius, by each single touch

④ C/F display conversion button:

Converting the degrees Celsius / Fahrenheit display in windows, by simultaneously pressing and hold for 3 seconds ②③

○,5 Display window:

Indicates lower zone temperature.

○,6 Display window:

Indicates upper zone temperature.

PeVino

IMPORTANT ABOUT WINE STORING TEMPERATURE

Your wine cooler is designed to guarantee optimum conditions for storing and/or serving your wines. Fine wines require long and gentle developments and need specific conditions in which to reach their full potential.

All wines mature optimally at the same ideal-temperature, which is a constant temperature set between 12°C to 14°C. This being said and as it is for natural cellars used by wine producers for long period of storage, it is not the exact temperature that is important, but its consistency. In other words, as long as the temperature of your wine cooler is constant (12°C - 14°C) your wines will be stored in perfect conditions.

Not all wines will improve over the years. Some should be consumed at an early stage (2 to 3 years) while others have tremendous ageing capability (50 years and beyond). All wines have a peak window of maturity. Check with your wine merchant to get the relevant information.

DEFROSTING - CONDENSATION - VENTILATION

This wine cooler is designed with an “Auto-cycle” defrost system. During “Off-cycle” the refrigerated surfaces of the wine cooler defrost automatically.

Defrost/condensation water from the storage compartment drains automatically and part of it goes into a drainage container, which is located at the back of the wine cooler next to the compressor. The heat is transferred from the compressor and evaporates any condensation that has collected in the container.

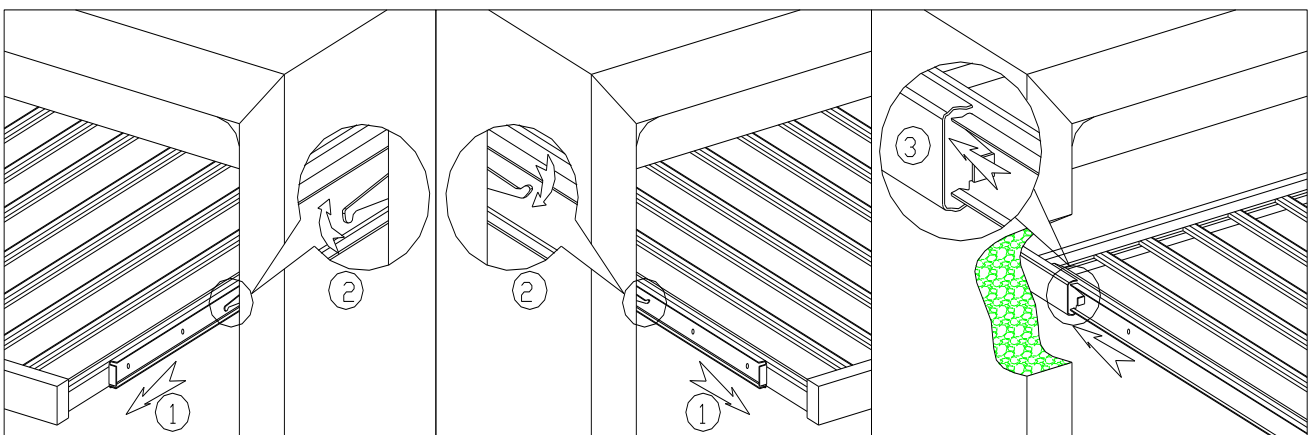
The wine cooler is equipped with a double-glazed door that has a third internal acrylic layer to minimize condensation on the glass door. The wine cooler is not totally sealed; fresh air admission is permitted through the drainpipe. Air is circulated through the cellar by means of a fan/fans and the hollow shelves.

Note: During the refrigeration cycle, heat is given off and disperses through the external surfaces of the wine cooler. Avoid touching the surfaces during those cycles.

ADJUSTABLE WOODEN SHELVES

For easy access to the stored content, pull the shelves approximately 1/3 of its depth out of the rail compartment.

Shelf installation and removal:



Shelf taking: According to below instruction drawing to pull out the shelf to support bracket (1), press two sides of sliding roller buckles and pull out the shelf following the arrow mark (2)

PeVino

Shelf installation: According to below instruction drawing to push in the shelf alignment with two sides of sliding roller following the arrow mark ③.

To prevent damaging the door gasket, make sure that the door is fully opened when pulling out the shelves.

REVERSING THE DOOR

WARNING:

To avoid accidents during the process of reversing the door, it is recommended that you get assistance. The glass door is heavy and may break and/or cause injury if dropped.

Depending on to the model and the type of handle your wine cabinet is equipped with, you may have to rotate the door 180 degrees. Depending on the type of handle your wine cabinet is equipped with, the door may not be reversible or may require that a left or right opening door be ordered to change the opening side.

Tools you will need (tools not included):



Knife



Hex key

Notice! Before working on reversing the door, turn power off. It is strongly advised that you are two people reversing the door!

1: Open the door. Using a hex key unscrew the upper and lower hinges. Remove the door.
(Figure A and Figure B)

Figure A - Upper hinge

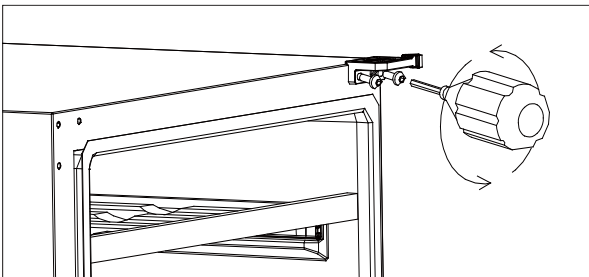
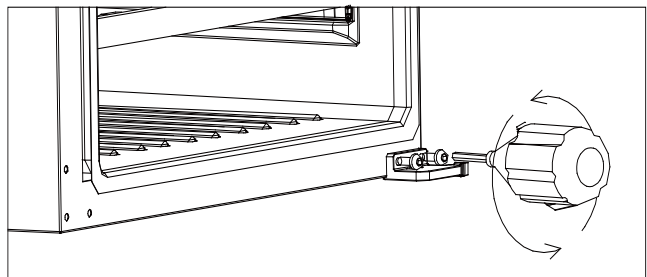


Figure B - Lower hinge



PeVino

2: Gently pry out the four trunk-nails from the left side of the cabinet and insert them to holes in the right side.
(Figure C, Figure D and Figure E)

Figure C - Upper trunk nails

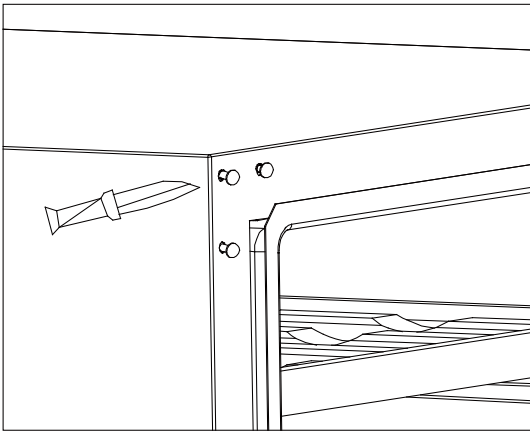


Figure D - Lower trunk nails

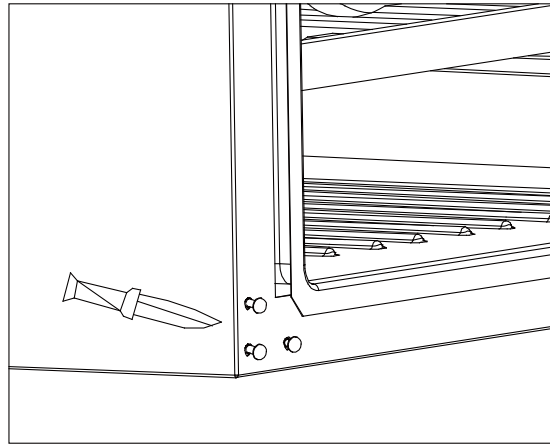
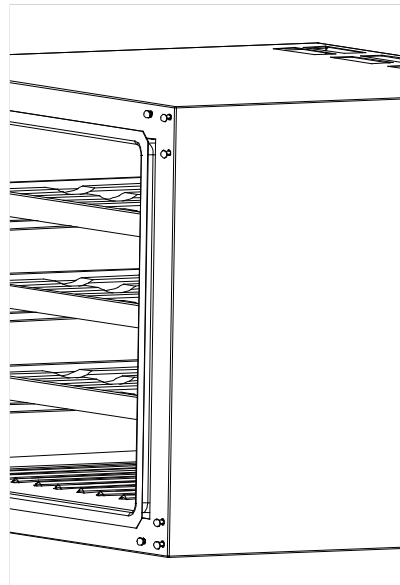


Figure E - Reinserted trunk nails



3: Rotate the door 180 degrees and align the upper and lower hinges with the hinge holes of the left side. Adjust the door and tighten the screws with the hex key. The door reversing is completed.
(as picture Fig. F, Fig. G and Fig. H)

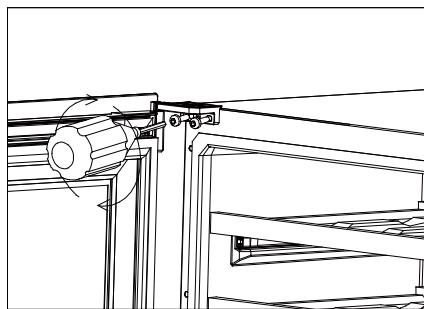


Fig. F - Upper hinge

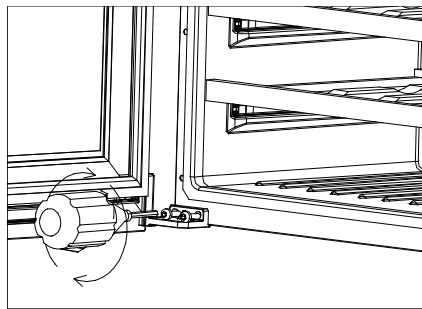


Fig. G - Lower hinge

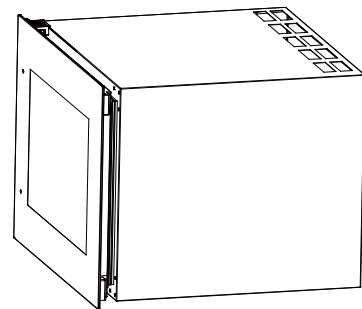


Fig. H - Finished

PeVino

OPERATION ANOMALIES

Ensure and verify that there is power to the electrical supply plug by connecting another electrical appliance. Check fuse, if any. Make sure that the door is closed properly.

If your wine cooler appears to be malfunctioning, unplug it and contact your our after-sales service provider. Any intervention on the cold circuit should be performed by a certified refrigeration professional who must carry out an inspection of the circuit sealing system. Similarly, any intervention on the electrical must should be performed by a qualified electrician.

Notes: *Any intervention performed by a non-authorized person may lead to the warranty being annulled and void.*

POWER FAILURES

In the event of a power interruption, all previous temperature settings are automatically preserved, and the system will revert to a pre-set temperature setting.

Most power failures are corrected within a short period of time. Loss of power for an hour or two will not affect the temperatures in the wine cooler. To avoid sudden change of temperature while the power is off, it is advised to avoid opening the door. For longer period of power failure, take steps to protect your wine.

PeVino

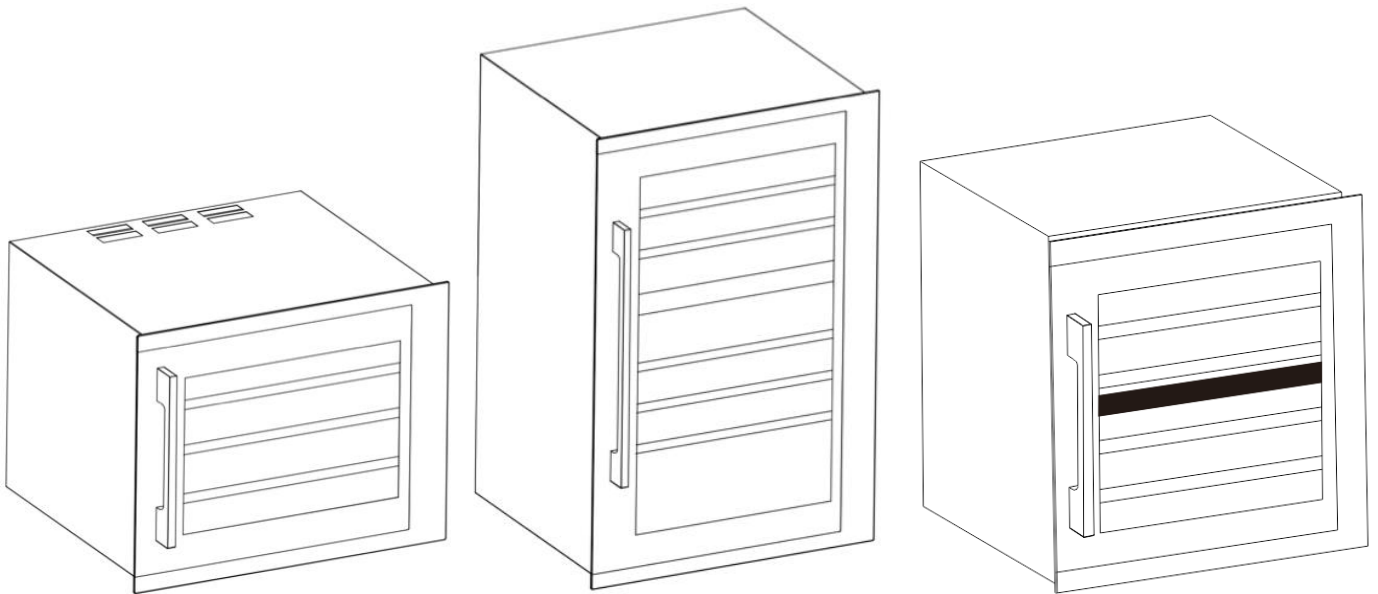
TROUBLESHOOTING GUIDE

Common problems may easily be solved, saving you the cost of a possible service call. Please read carefully the instruction manual and revert to troubleshooting guide chart.

| PROBLEM | POSSIBLE CAUSE |
|---|---|
| Wine cooler does not operate. | Not plugged in. The appliance is turned off. Current circuit breaker (RCD) activated, or the fuse is broken. |
| Wine cooler is not cold enough. | Check the temperature control setting. External environment may require a higher setting. The door is opened too often. The door is not closed completely. The door gasket does not seal properly. |
| Turns on and off frequently. | Room temperature is warmer than normal. Door is opened too often. Door is not closed completely. Temperature control is not set correctly. Door gasket does not seal properly. |
| The light does not work. | Not plugged in. Current circuit breaker (RCD) activated, or the fuse is broken. Bulb is out of order. The light button is "OFF". |
| Vibrations. | Check to assure that the wine cooler is level. |
| The wine cooler seems to make too much noise. | The rattling noise may come from the flow of the refrigerant, which is normal. As each cycle ends, you may hear gurgling sounds caused by the flow of refrigerant in the wine cooler. Contraction and expansion of the refrigerant gas may cause popping and crackling noises. The wine cooler is not level. |
| The door will not close properly. | The wine cooler is not level. The door was reversed and not properly installed. Gasket is faulty. (Magnet or rubber is damaged) Shelves are out of position. |

PeVino

VINKØLESKAB BRUGSANVISNING



PeVino - PI24S-B

PeVino - PI24S-S

PeVino - PI48D-B

PeVino - PI48D-S

PeVino – PI30D-B

PeVino – PI30D-S

Disse vinkøleskabe er udelukkende integrerbare og til indbygning i et kabinet.

WWW.PEVINO.COM

PeVino

TAK FOR DIT KØB AF ET VINKØLESKAB FRA PEVINO.

**VENLIGST LÆS OG FØLG ALLE SIKKERHEDSREGLER OG
BETJENINGSINSTRUKTIONER FØR BRUG.**

BEMÆRK

Ændringer i dette dokument kan ske uden forudgående varsel.

VIGTIGE SIKKERHEDSINSTRUKSER

For at mindske risikoen for brand, elektrisk chok eller skader, når du bruger dit apparat, bedes du følge disse basale forholdsregler.

For at undgå at skade dørtætningen skal du sikre, at døren er helt åben, når hylderne trækkes ud på skinnerne. Apparatet skal være placeret således, at stikket er tilgængeligt. Frigør ledningen. Flyt dit skab til dets endelige placering. Flyt ikke dit skab, mens det er fyldt med vin.

Hvis ledningen er beskadiget, skal den udskiftes af producenten eller en autoriseret elinstallatør.

Dette vinkøleskab er kun beregnet til opbevaring af vin.

Dette apparat er ikke beregnet til brug for personer (inklusiv børn) med nedsatte fysiske, sensoriske eller mentale evner eller mangel på erfaring og viden, med mindre de er under opsyn eller modtager instruktioner i brugen af apparatet fra en person der er ansvarlig for deres sikkerhed.

Apparatet er beregnet til brug i husholdholdning og lignende områder som eksempelvis:

- Personalekøkkenområder i butikker, kontorer og andre arbejdsmiljøer.
- Feriegårde og af besøgende på hoteller, moteller og andre typer af beboelsesområder; bed and breakfast miljøer;
- Kantiner, restauranter og lignende miljøer.

ADVARSEL

IKKE børnevenligt! Kasserede eller efterladte apparater kan være farlige for børn, og du bør derfor bortskaffe det forsvarligt efter endt brug.

Før du smider dit gamle vinkøleskab væk: Tag døren af, så børn ikke nemt kan klatre inde i det. Tillad aldrig børn at betjene, lege med, eller kravle ind i apparatet.

Rengør aldrig dele af apparatet med brændbare væsker. Dampene kan udgøre en brand- eller eksplosionsrisiko. Opbevar eller brug ikke brændbare væsker i nærheden af dette eller andre apparater. Dampene kan udgøre en brand- eller eksplosionsrisiko.

FARE: Der kan være risiko for at børn kan komme i klemme. Derfor bør du gøre følgende før du smider dit vinskab ud.

- Tag døren af.
- Lad hylderne sidde i skabet så børn ikke kan kravle ind i skabet.
- Bortskaffelse må kun ske på et autoriseret affaldscenter.

PeVino

R600a ADVARSEL:

For egen sikkerhedsskyld skal følgende anbefalinger overholdes.

Dette apparat indeholder en lille mængde E600a kølemiddel, som er miljøvenligt, men brandfarligt. Det skader ikke ozonlaget, og det øger heller ikke drivhuseffekten. Under transport og installationer skal du sikre dig at kølemiddelkredsløbet ikke bliver beskadiget.

Undgå at bruge skarpe genstande i nærheden af apparatet.

Lækket kølemiddel kan antændes og kan beskadige øjnene.

I tilfælde af at der opstår skader skal du undgå at blive udsat for åben ild og eventuelle gnister fra enhver enhed.

Afbryd straks strømmen til apparatet.

Sørg for at lufte grundigt ud i rummet, hvor apparatet er placeret.

Giv kundeservice besked herom for at modtage rådgivning.

Det rum som apparatet skal installeres i skal være mindst 1 kubikmeter pr. 8 gram kølemiddel.

Kølemiddelmængden i dette apparat er angivet ovenfor i gram. Det er også angivet på apparatets typeskilt.

ADVARSEL: For at undgå en fare på grund af apparatets ustabilitet er det vigtigt at fastgøre det i overensstemmelse med instruktionerne.



Dette symbol er en advarsel og angiver, at kølemidlet og gas er brandfarligt.

is a warning and indicates the refrigerant and insulation blowing gas are flammable.

Advarsel: Risiko for brand / antændelig materialer

ADVARSEL — Opbevar ikke eksplosive stoffer såsom spraydåser med brændbart drivmiddel I dette apparat.

ADVARSEL — Når du placer apparatet skal du sikre dig at ledningen ikke bliver fanget eller beskadigt.

ADVARSEL — Placer ikke forlængerledninger på bagsiden af apparatet

ADVARSEL — Kølemidlet og isoleringsblæsende gassen er brandfarlige. Når apparatet bortskaffes, må det kun ske på et autoriseret affaldscenter. Apparatet må ikke udsættes for flammer.

Det kan være farligt for andre end en autoriseret serviceperson at udføre service eller reparationer på apparatet.

ADVARSEL: Hold ventilationsåbningen i apparatets kabinet fri.

ADVARSEL: Brug ikke mekaniske apparater eller andre midler til at fremskynde afrimningsprocessen, ud over dem, der anbefales af producenten.

ADVARSEL: Beskadig ikke kølemiddelkredsløbet.

ADVARSEL: Brug ikke elektriske apparater inde i apparatets opbevaringsrum, medmindre de er en type, som producenten anbefaler.

ADVARSEL: Hvis du ikke bruger maskinen i længere tid, skal du tage stikket ud af stikkontakten eller slukke for strømforsyningen.

ADVARSEL: Dette apparat er ikke beregnet til brug for personer (inklusive børn) med nedsatte fysiske, sensoriske eller mentale evner eller mangel på erfaring og viden, med mindre de er under opsyn eller modtager instruktioner i brugen af apparatet fra en person der er ansvarlig for deres sikkerhed.

ADVARSEL Børn bør overvåges for at sikre, at de ikke leger med apparatet.

ADVARSEL: Brug ikke forlængerledninger eller ujordede (to ben) adaptere;

ADVARSEL: Hvis ledningen er beskadiget, skal den udskiftes af producentens serviceteknikker eller en lignende kvalificeret person for at undgå fare.

GEM DENNE MANUAL TIL EVENTUELT SENERE BRUG

PeVino

INDEN TILSLUTNING OG OPFYLDNING AF VINKØLESKABET

Før du bruger dit vinkøleskab

- Fjern den ydre og indre emballage.
- Før du tilslutter vinkøleskabet til strømkilden, skal du lade det stå lodret i cirka 6 timer. Dette vil reducere muligheden for en funktionsfejl i kølesystemet.
- Rengør de indre overflader med en blød klud og lunkent vand.
- Ved udskiftning af lyskilden, vælg en lyskilde som passer med samme fatning, watt og mærkespænding som den eksisterende lyskilde. Sluk strømforsyningen, før du skifter lyskilden.

Installation af dit vinkøleskab

- Placér dit vinkøleskab på et gulv eller overflade, der er stærkt nok til at bære det, når det er fuldt læsset. Sørg for at vinkøleskabet står helt i vater, ved at justere benene under bunden.
- Placér vinkøleskabet væk fra direkte sollys og varmekilder (brændeovn, varmeapparat, radiator, osv.). Direkte sollys kan påvirke akrylovertrækket, og varmekilder kan forøge det elektriske forbrug.
- Ekstremt kolde omkringliggende temperaturer kan også forårsage, at enheden ikke virker ordentligt.
- Undgå at placere enheden i fugtige områder.
- Tilslut vinkøleskabet til en stikkontakt. Ethvert spørgsmål angående el bør rettes til en autoriseret elinstallatør.

Vær opmærksom på følgende:

- Opbevar vin i lukkede flasker.
- Overbelast ikke skabet.
- Åbn ikke døren, medmindre det er nødvendigt.
- Tildæk ikke hylder med aluminiumfolie eller andre hyldematerialer, som kan forhindre luftcirkulation.
- Skulle vinkøleskabet stå ubrugt i længere perioder, foreslås det, efter en grundig rengøring, at lade døren stå på klem for at lade luften cirkulere indeni skabet for at undgå mulige dannelser af dug, mug eller lugt.
- Det medfølgende filter med aktivt kul (fjerner mug- og lugtgener), bør afmonteres mindst en gang om året og lægges til tørring / udluftning og gerne i solen.

PeVino

AT STILLE VINKØLESKABET I VATER

ALLE vinkøleskabe skal stå i perfekt lod og vater, inden de fyldes med vinflasker. Dette vinkøleskab er udstyret med fire justerbare ben, som gør det nemt at stille skabet i perfekt niveau. Det anbefales at skrue de bagerts ben helt ind, og så justere de forreste ben til et perfekt lod og vater er opnået.

INSTRUKSER FOR INSTALLERING AF INTEGRERBARE VINKØLESKABE: *UDELUKKENDE FRONTVENTILEREDE VINKØLESKABE.*

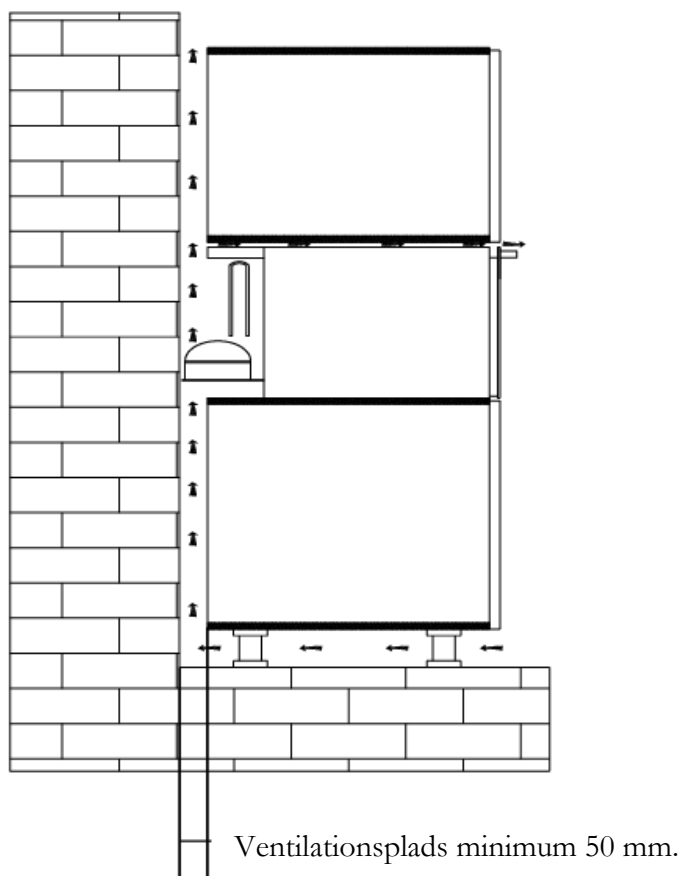
1. Integrerbare vinkøleskabe er frontventilerede, og IKKE byggede til at blive fuldt integrerede bag en fast ekstern låge (f.eks. en skabslåge i et køkken)
2. Følg installationsdiagrammet når vinkøleskabet skal installeres. Gå aldrig under minimumskravene for dimensioner.
3. Vinkøleskabet trækker luft ind i højre side af ventilationsristen under døren og puster ud i venstre side samme sted.
4. Vinkøleskabet har en tænd/sluk knap på kontrolpanelet (Power on/off).
5. Vinkøleskabet skal tilsluttes standard 240 volt/10 A.
6. Ledningen er 200 cm. lang og tilsluttet i højre side bagpå.
7. I varme klimazoner skal en udluftningskanal eller et gitter med en minimumsventilationsstørrelse på 200 mm x 50 mm skæres ud på bagsiden af kabinettet eller øverst i hver side af kabinettet. Dette sikrer tilgang af frisk luft ind til det 30 mm dybe mellemrum bag på kabinettet. Denne luftudluftning eller gitter må ikke være åben mod samme side som andre apparater som ovne eller lignende. Der må heller ikke åbnes mod et område, der er uden adgang til frisk, kølig luft.

HUSK: Vinkøleskabet skal placeres så der er adgang til strømudtag efter installeringen.

PeVino

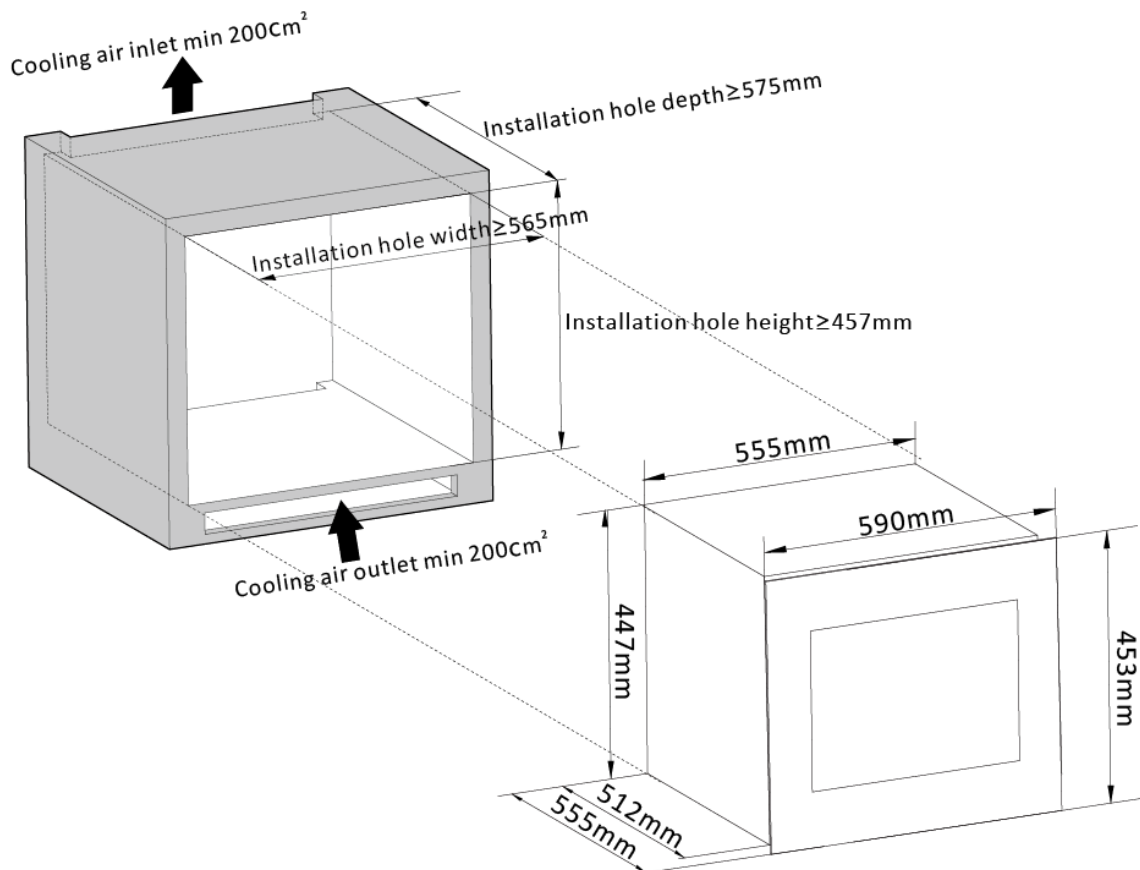
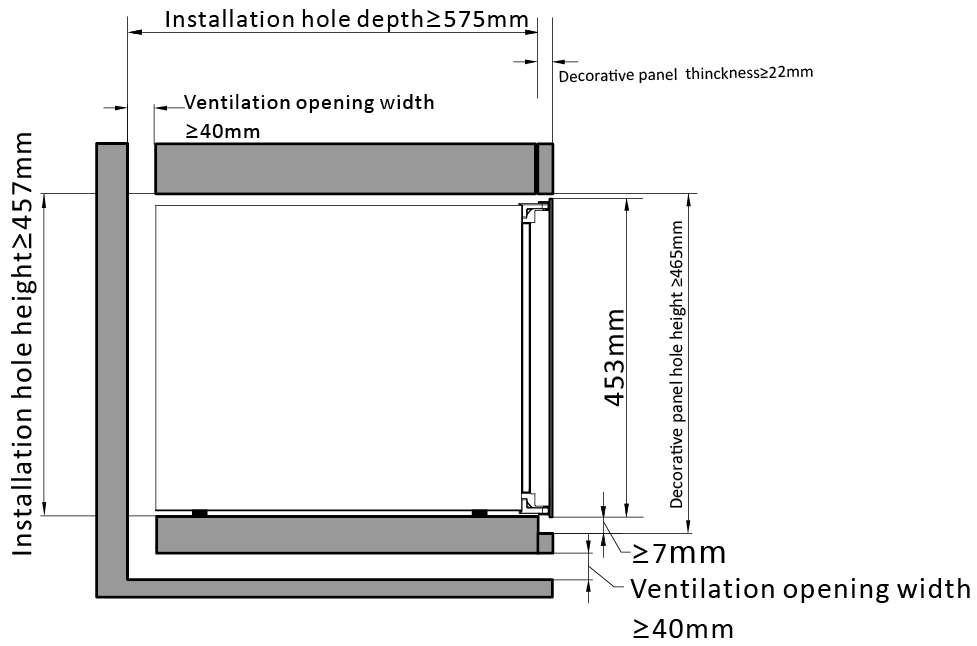
INSTALLATIONS DIAGRAMMER

Dette er et integrerbart vinkøleskab, der skal installeres i et skab/kabinet. Kabinettet skal være med gode ventilationsforhold og uden bagplade, ellers vil det påvirke vinkøleskabets evne til at fungere normalt. Følg installationsdiagrammet.

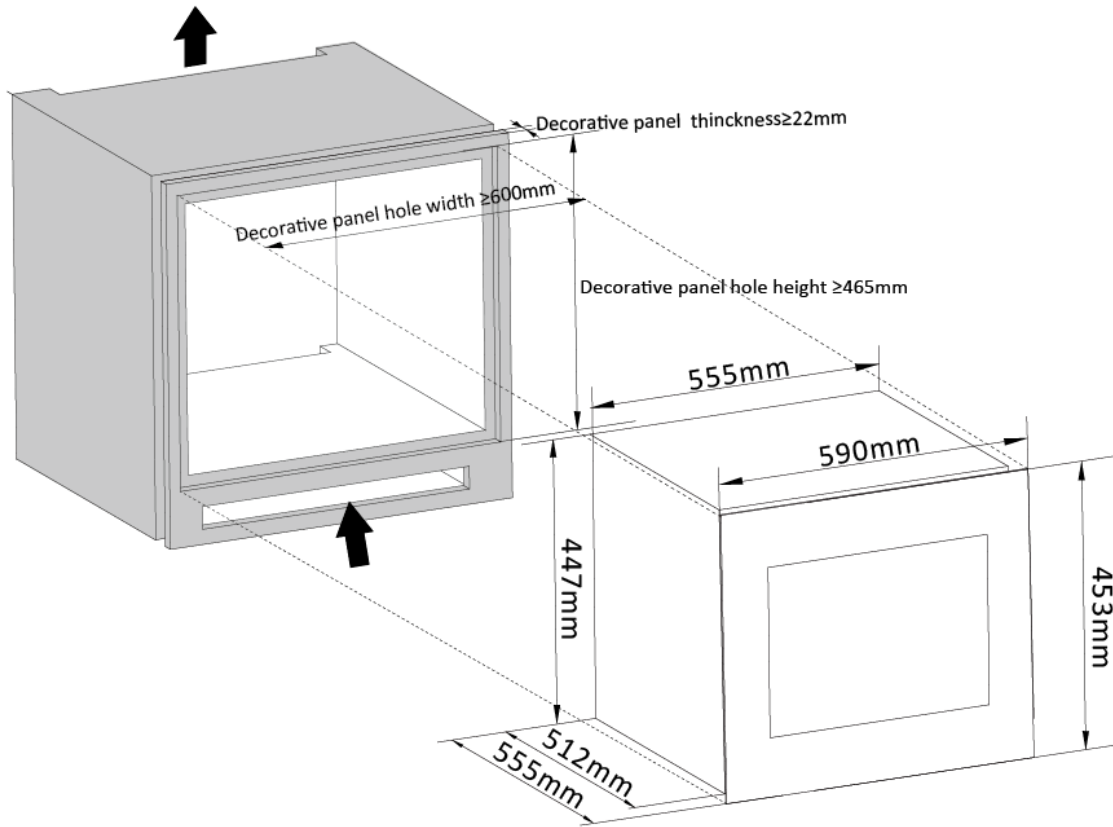


PeVino

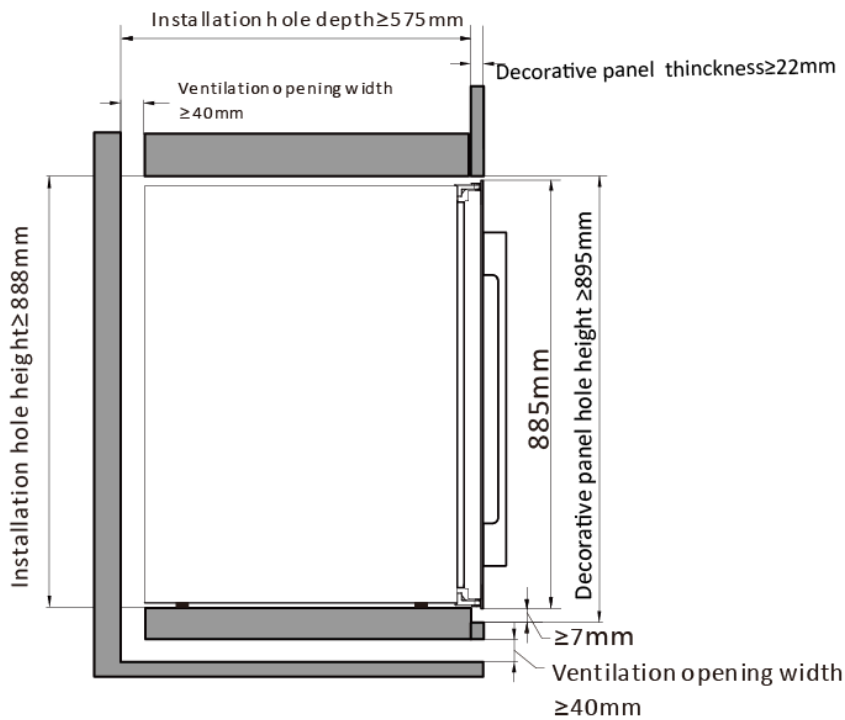
PeVino PI24S-B og PI24S-S



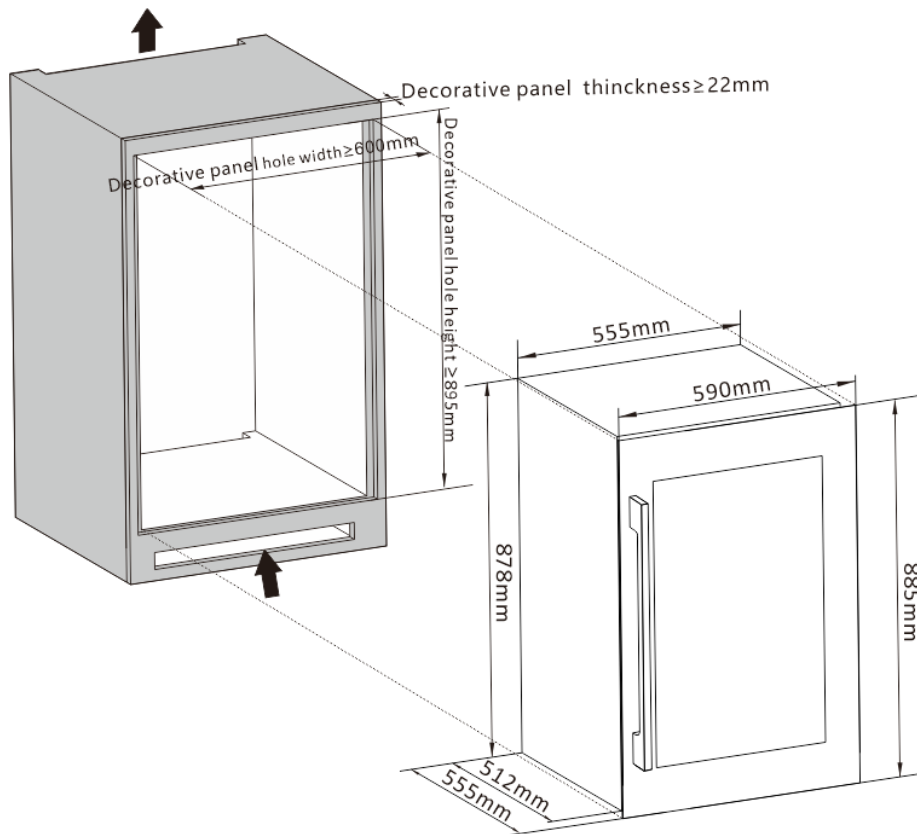
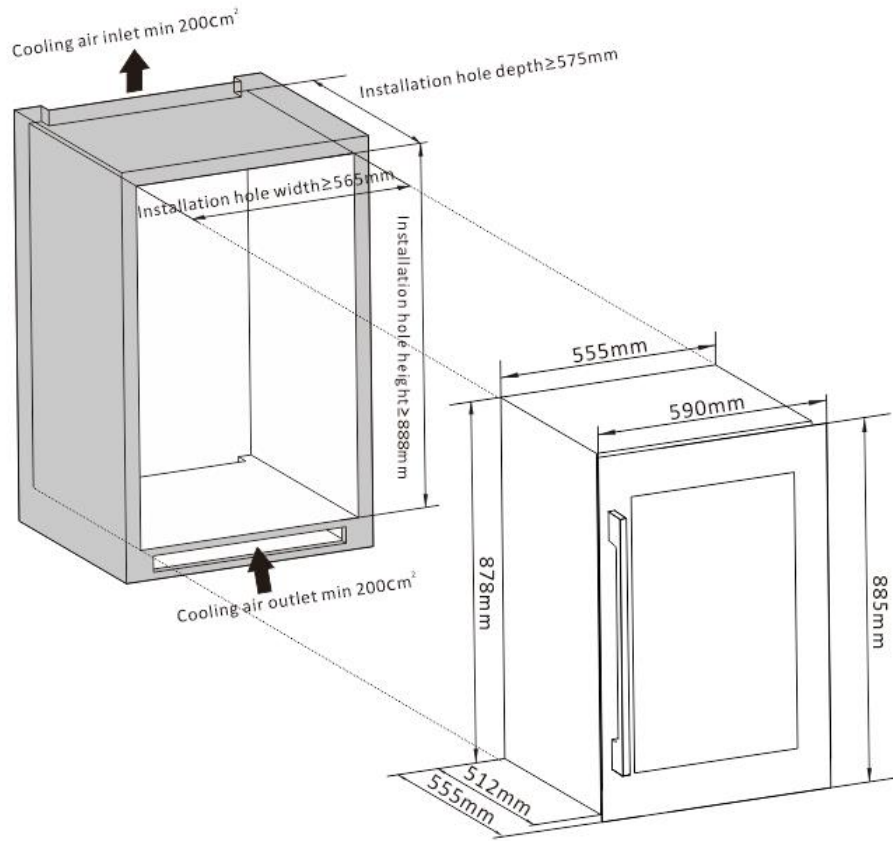
PeVino



PeVino PI48D-B og PI48D-S

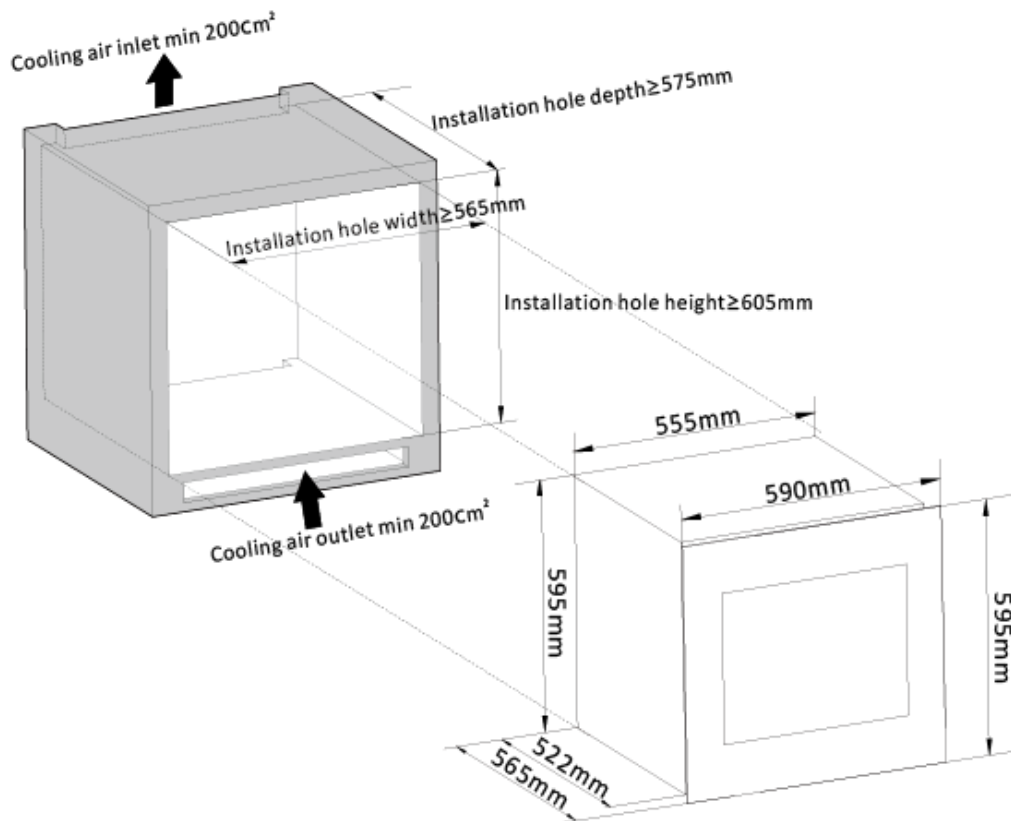
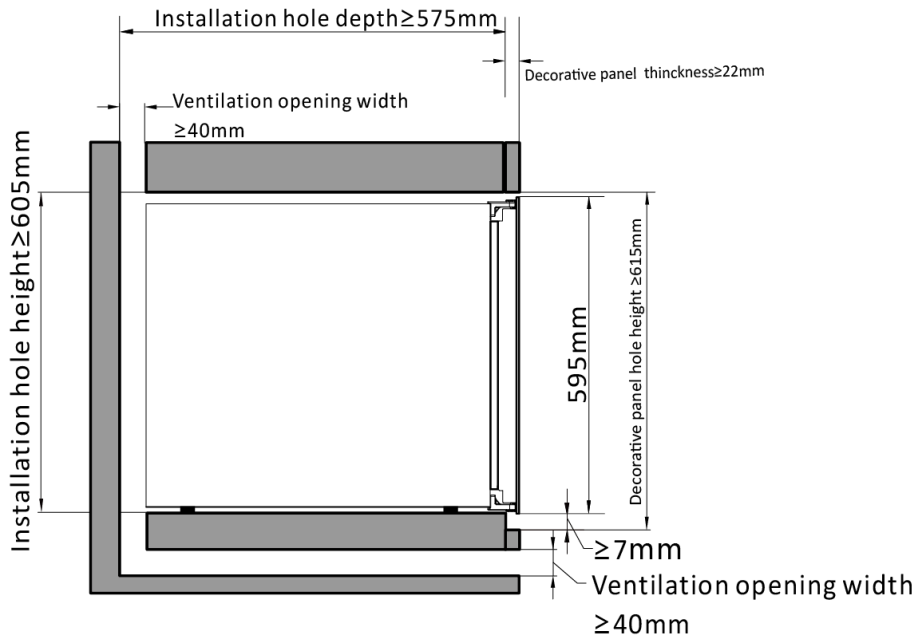


PeVino

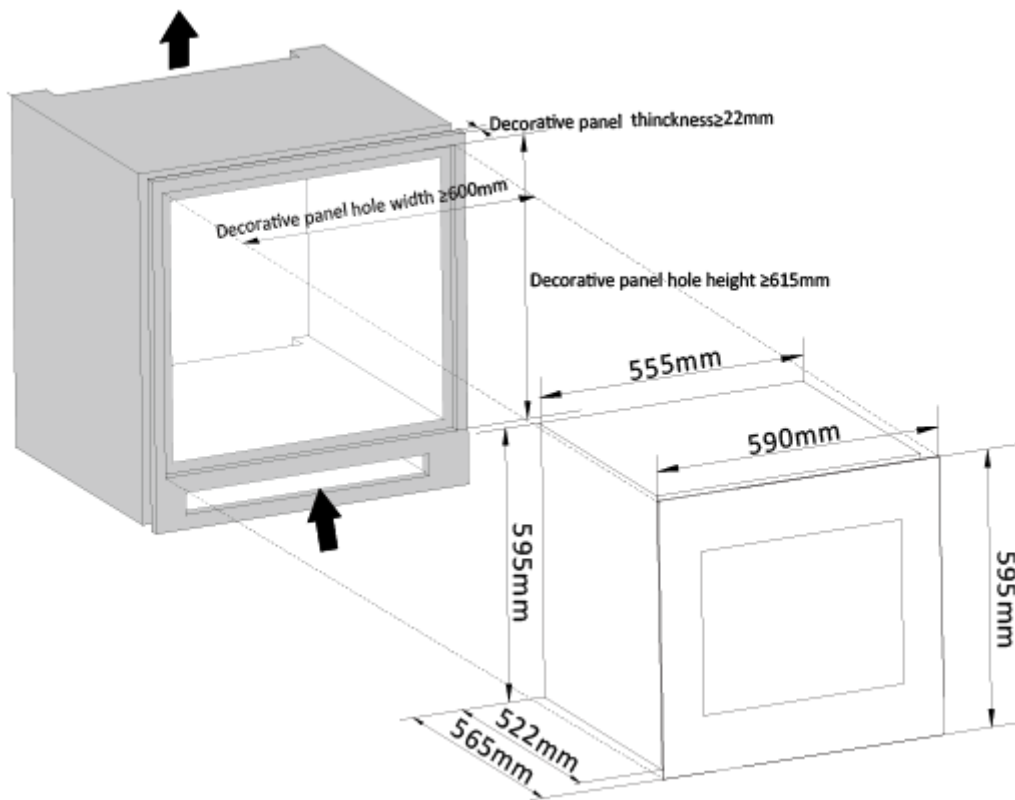


PeVino

PeVino PI30D-BP og PI30D-WP



PeVino

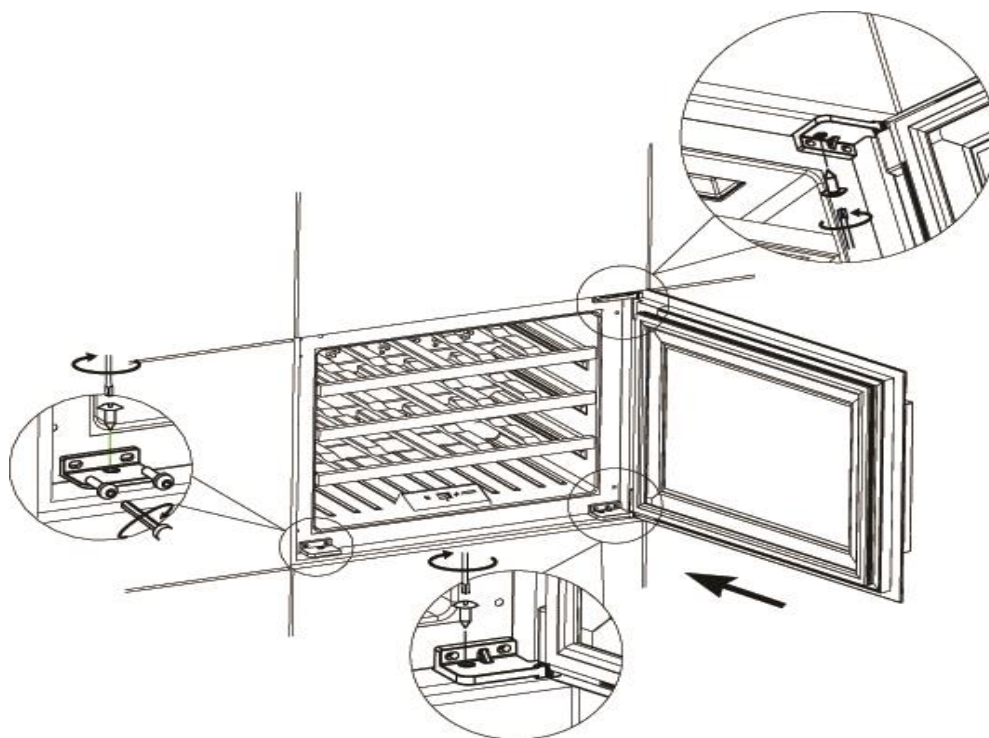


INSTALLERING I ET KØKKENKABINET

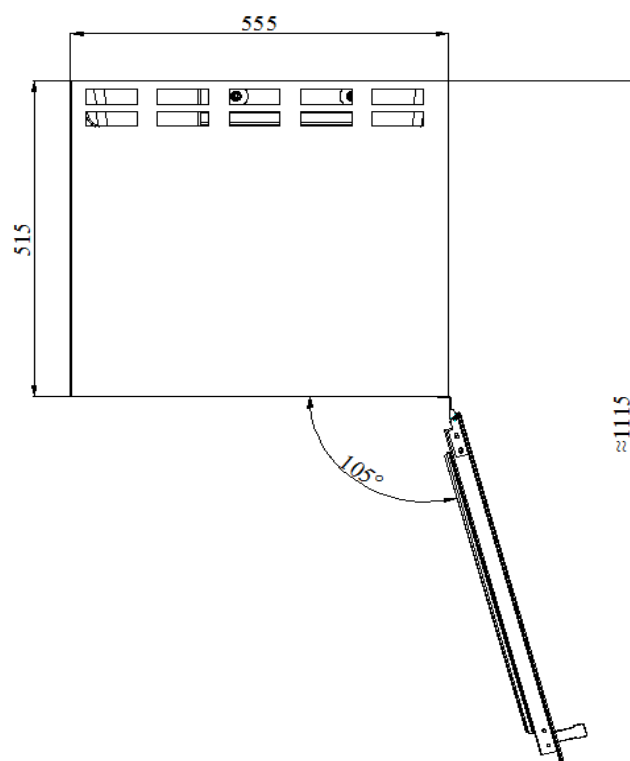
1. Placer vinkøleskabet i kabinettet og juster benene, så skabet står i perfekt lod og vater.
2. Åbn døren og tag tilbehørsposen med fikseringsplade, to unbrakoskruer og en -nøgle. Brug unbrakonøglen til at skrue fikseringspladen fast på den nedre venstre side af vinkøleskabet.
3. Tag tre Phillips-stjerneskrue fra tilbehørsposen. Brug en Philips-stjerneskrueetrækker til at skrue fikseringspladen fast i kabinettet ved den nedre venstre side af vinkøleskabet med en af skrueerne. De to andre skrue bruges til at skrue vinkøleskabet fast til kabinettet ved de to dørhængsler i højre side.

(Bemærk: Hvis døren er blevet vendt, skal disse instrukser følges i spejlvendt form. Se andetsteds i manualen her hvordan man vender døren.)

PeVino



DØRÅBNING - VINKEL OG DIMENSIONER



PeVino

OPSTART AF VINKØLESKABET

Tilslut og tænd for enheden ved at trykke på tænd/sluk-knappen nogle få sekunder.

Når du bruger vinkøleskabet for første gang (eller genstarter vinkøleskabet efter at have været slukket i lang tid), vil der være en få graders varians mellem den valgte temperatur og den, der er angivet på LED displayet. Dette er normalt, og det skyldes længden af aktiveringstiden. Når vinkøleskabet har kørt et par timer, vil alt stabilisere sig.

Vigtigt: Hvis vinkøleskabet har været slukket, frakoblet eller strømmen har været gået, vent 3 - 5 minutter, inden du genstarter det. Vinkøleskabet starter ikke, hvis du forsøger at genstarte før denne forsinkelse.

DRIFTSSTØJ

For at opnå de ønskede temperaturindstillinger kan dette vinkøleskab, som alle vinkøleskabe, der kører med kompressorer og ventilatorer, producere følgende typer lyde.

Lyde er normale og kan forekomme som følger:

Klukkende og hvæsende lyd - forårsaget af kølemidlet, der strømmer gennem systemets rør og dyser.

Knirkende/smældende lyde - sker som følge af sammentrækning og udvidelse af kølemiddellgassen for at producere kulde.

Blæsende lyd - blæsere sørger for at luften cirkulerer inde i vinkøleskabet.

OPFYLDNING AF VINKØLESKABET

Du kan pakke dine vinflasker i enkelt- eller dobbelt rækker, mens du tager følgende i betragtning: Hvis du ikke har nok flasker til at fylde vinkøleskabet helt, er det bedre at fordele flaskerne jævnt i hele vinkøleskabet. Du kan fjerne eller flytte de justerbare træhylder så skabet kan rumme større flasker eller forøge kabinetets kapacitet ved at stable flaskerne, hvis det er nødvendigt. (Se: Fjernelse af hylder)

Hold små mellemrum mellem de indvendige vægge og flaskerne for at luften kan cirkulere. Lige som en underjordisk (vin)kælder er luftcirkulationen vigtig for at forhindre skimmelsvamp og for at sikre en mere homogen temperaturfordeling i hele kælderens.



Overbelast ikke dit vinkøleskab.

Undgå at spærre ventilatorerne (placeret inde bagerst i vinkøleskabet).

Undgå at trække hylderne længere ud end den faste stilling på grund af risiko for, at tabe flaskerne.

Træk ikke mere end en fuldt lastet hylde ad gangen, da dette kan få vinkøleskabet til at vippe fremover.

Tildæk ikke hylderne med aluminiumsfolie eller andre materialer, da det vil forhindre luftcirkulationen.

Flyt ikke dit vinkøleskab, mens det er fyldt med flasker. Dette kan forvride vinkøleskabets kabinet.

Efter den første opfyldning

Bemærk, at afhængigt af opfyldning og valgte indstillinger tager det omkring 24 timer for at temperaturen stabiliserer sig i vinkøleskabet. I løbet af denne tid vil LED-temperaturvisningen se ud til at bevæge sig uregelmæssigt. Dette er normalt, og det sker, når indstillingen ændres og/eller når der fyldes et stort antal flasker i vinkøleskabet.

PeVino

INDSTILLING AF TEMPERATUR

Vigtigt: LED-displayet angiver som standard den faktiske lufttemperatur inde i skabet.

Printkortet på alle modeller kommer med hukommelsesfunktion. Alle indstillinger vender tilbage til den forindstillede temperatur, når strømmen er genoprettet.

BEMÆRK!

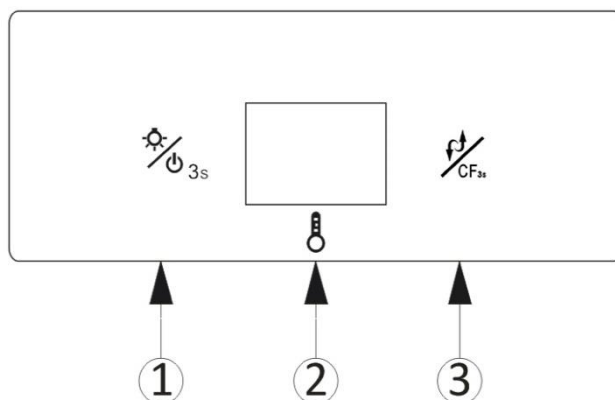
Det er vigtigt at forstå, at der er en forskel mellem lufttemperaturen inde i vinkøleskabet og vinens faktiske temperatur.

Når temperaturen er indstillet, anbefales det kraftigt at lade den etablere sig og ikke justere den ofte. Forvent at vente ca. 24 timer inden du bemærker effekten af temperaturjustering på grund af massen, volumen og densiteten af et fuldt vinkøleskab.

Termostaten holder temperaturen inde i vinkøleskabet inden for et område på +/- 2,5°C. Men den termiske inertie af vinen og glasset er sådan, at den faktiske temperatur i vinen inden for dette temperaturområde bevæger sig i intervallet 0,5°C til 1°C.

DISPLAY - BRUGSVEJLEDNING

For PI24S-B og PI24S-S



○,1  **Tænd/sluk og lys:**

I standbytilstand: Tryk og hold nede i 3 sekunder. Strømmen tændes, og systemet starter.

I drift: Tryk kort på denne knap. LED lyset tænder/slukker.

I drift: Tryk og hold nede i 3 sekunder. Strømmen slukkes og systemet stopper.

○,2  **Display:**

Viser den virkelige temperatur inde i vinkøleskabet.

○,3  **Temperaturindstilling (cirkulær funktion):**

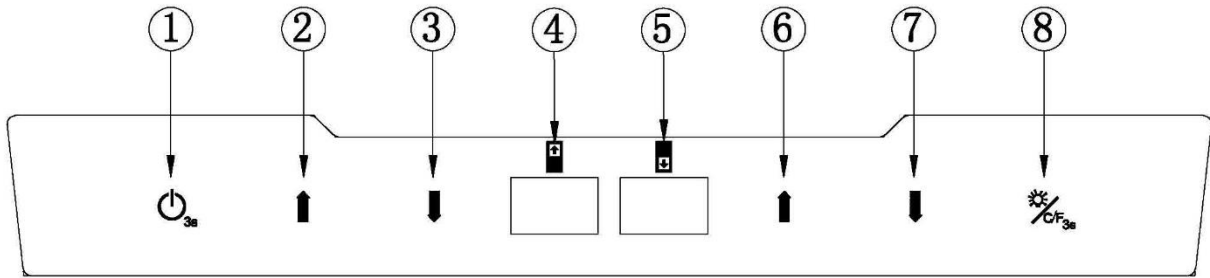
Ved hvert tryk på denne knap vil temperaturen indeni falde 1°C, indtil den kommer til den lavest mulige indstilling, og derefter en tilbage til den højeste temperatur. Du kan fortsætte dette i et cirkulært interval inden for de tilgængelige temperaturindstillinger.

○,3  **Valg af temperaturvisning °C/°F:**

Indstil den viste temperatur mellem Celsius eller Fahrenheit ved hvert tryk på denne knap.

PeVino

For PI48D-B og PI48D-S



○,1  **Tænd/sluk:**

Tryk og hold nede i 3 sekunder for at slukke. (Displayet ○,4 vil tælle ned: 3 - 2 - 1). Tryk igen for at tænde igen.

○,2  **Øvre zone temperaturindstilling OP:**

Tryk en gang og display ○,4 vil stige med 1 grad Celsius.

○,3  **Øvre zone temperaturindstilling NED:**

Tryk en gang og display ○,4 vil falde med 1 grad Celsius.

○,4  **Display:**

Viser temperaturen i øvre zone.

○,5  **Display:**


Viser temperaturen i nedre zone.

○,6  **Nedre zone temperaturindstilling OP:**

Tryk en gang og display ○,5 vil stige med 1 grad Celsius.

○,7  **Nedre zone temperaturindstilling NED:**

Tryk en gang og display ○,5 vil falde med 1 grad Celsius.

○,8  **Lys tænd/sluk:**

Tryk for at tænde og slukke lys.

○,8  **Valg af temperaturvisning °C/°F:**

Indstil den viste temperatur mellem Celsius eller Fahrenheit ved hvert tryk på denne knap.

PeVino

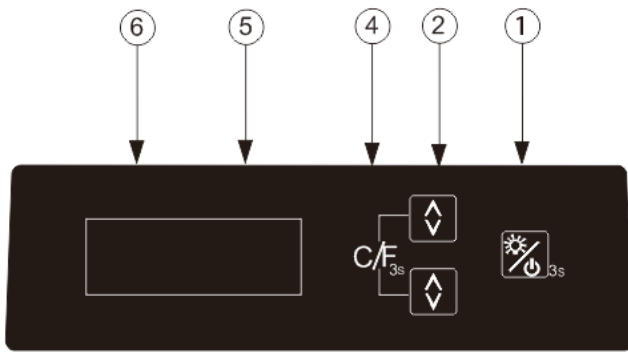
VIGTIGT VEDRØRENDE OPBEVARINGSTEMPERATUR FOR VIN

Dit vinkøleskab er designet til at sørge for optimale betingelser for opbevaring og/eller servering af dine vine. Fin vin kræver lang og stabil udvikling og har brug for særlige forhold for at nå det fulde potentiale.

Alle vine modner optimalt ved den samme ideal-temperatur, som er en konstant temperatur mellem 12°C og 14°C. Når dette er sagt, og som det er tilfældet ved naturlige vinkældere der anvendes af vinproducenter til længere tids vinopbevaring, er det ikke den nøjagtige temperatur, der er vigtig, men dens konsistens. Med andre ord, så længe temperaturen på din vinkøler er konstant (12°C - 14°C), bliver dine vine opbevaret under perfekte forhold.

Ikke alle vine vil forbedre sig gennem årene. Nogle bør nydes unge (2 til 3 år), mens andre har et enormt lagringspotentiale (50 år og længere). Alle vine har et optimalt modenhedsvindue. Tal med din vinhandler for at få den bedste vejledning.

For PI30D-BP og PI30D-WP



① L
Når ledningen er tilsluttet: tryk og hold i 3 sekunder, apparatet tændes og maskinen starter. Når apparatet er tændt: Tryk på knappen of LED lyset tænder, Tryk igen og LED lyset slukker.
Tryk og hold knappen inde i 3 sekunder for at slukke apparatet igen.

② Knap til indstilling af temperatur i øverste zone:
Indstilling af den øverste zones temperatur. Temperaturen kan indstilles mellem 10-20 grader.

③ Knap til indstilling af temperatur i nederste zone:
Indstilling af den nederste zones temperatur. Temperaturen kan indstilles mellem 5-12 grader.

④ C/F temperaturvisningsknap
Ved at trykke og holde knap ② ③ nede i 3 sekunder skrives der mellem celsius og fahrenheit.

○,5 Display:
Viser temperaturen i den nederste zone

○,6 Display:
Viser temperaturen i den øverste zone

PeVino

AFRIMNING - KONDENS - VENTILATION

Dette vinkøleskab er designet med et "Auto-cycle" afrimningsystem. Under "Off-cycle" afrimes kølefladerne af vinkøleren automatisk.

Afrimning/kondensvand fra opbevaringsrummet afløber automatisk, og en del af det går i en afløbsbeholder, som er placeret på bagsiden af vinkøleskabet ved siden af kompressoren. Varmen overføres fra kompressoren og fordampes eventuel kondens, som er opsamlet i beholderen.

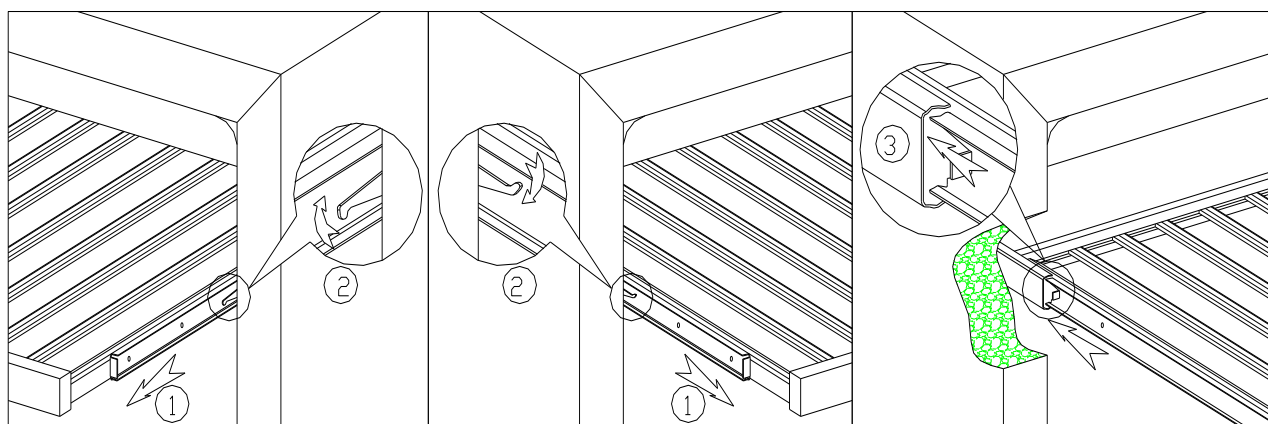
Vinkøleskabet er udstyret med en dobbeltglasdør, der har et tredje indre akryllag for at minimere kondens på glasdøren. Vinkøleskabet er ikke fuldstændigt forsejlet; friskluft adgang sker gennem afløbsrøret. Luft cirkuleres gennem skabet ved hjælp af en ventilator og hyldernes lameller.

Bemærk: Under kølecyklussen afgives varme, der udledes gennem vinkøleskabets ydre overflader. Undgå at røre overfladerne under disse cyklusser.

JUSTERBARE TRÆHYLDER

For nem adgang til de opbevarede flasker skal du trække hylderne ca. 1/3 af dybden ud af skinnen.

Påsætning og afmontering af hylde:



Hylde udtagning: Venligst følg nedenstående for at trække hylden helt ud af skabet

① Tryk de ② metal stykker ind, på siden af hylden og træk hylden ud, som pilene på tegningen.

Hylde isætning: I henhold til tegningen og pilene, holdes hylden lige og skubbes in imellem glideskinnerne, For at undgå at skade gummilisten rundt om døren, vær sikker på at døren er åbnet helt op, inden hylden trækkes ud.

PeVino

VENDING AF DØREN

ADVARSEL:

For at undgå uheld under arbejdet med at vende døren, anbefales det, at du får hjælp. Glasdøren er tung og hvis den tabes, kan den gå i stykker eller gøre skade. Afhængig af model og arten af håndtag, som skabet er udstyret med, kan det være nødvendigt at rotere døren 180 grader. Samme forhold kan være årsag til at døren i sig selv ikke kan vendes, og at det derfor er nødvendigt at bestille en særskilt dør, der kan åbnes i den anden side.

Værktøj, der bliver brug for (medfølger ikke):



Kniv

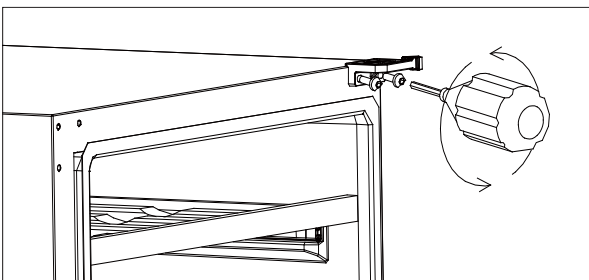


Unbrakonøgle

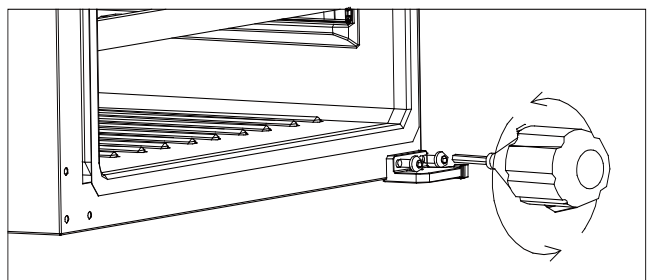
Bemærk! Husk at slukke for strømmen til vinkøleskabet inden døren vendes. Det tilrådes, at være mindst to personer, når døren skal vendes.

1: Åbn døren. Skru de øvre og nedre beslag af ved hjælp af unbrakonøglen. Tag døren af.
(Figur A og Figur B)

Figur A – Øvre hængsel



Figur B – Nedre hængsel

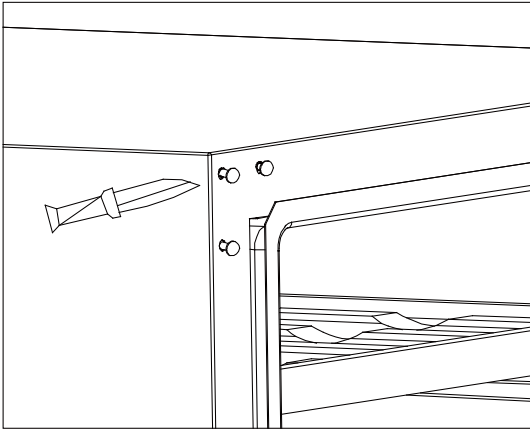


PeVino

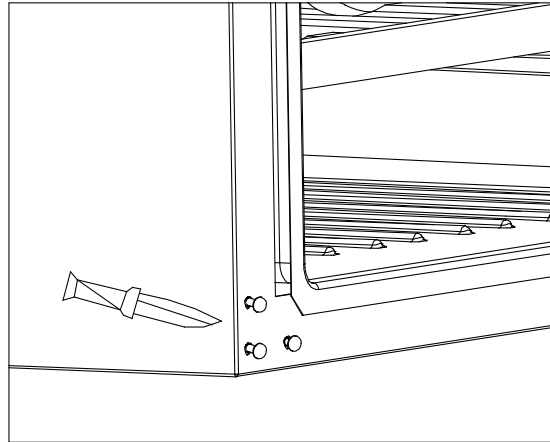
2: Lirk forsigtigt de fire plastikdækpropper i venstre side af vinkøleskabet og sæt dem i hullerne i højre side af vinkøleskabet.

(Figur C, Figur D og Figur E)

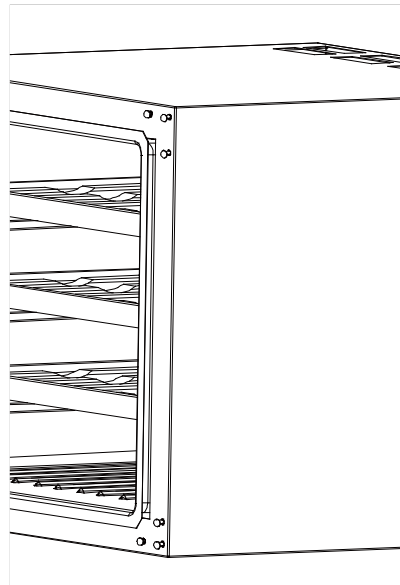
Figur C – Øvre dækpropper



Figur D – Nedre dækpropper



Figur E – Genindsatte dækpropper



PeVino

3: Roter døren 180 grader og tilpas de øverste og nederste hængsler med hængsels hullerne på venstre side. Juster døren og stram skruerne med unbrakonøgle. Dørens vending er afsluttet. (Som vist på Fig. F, G og H)

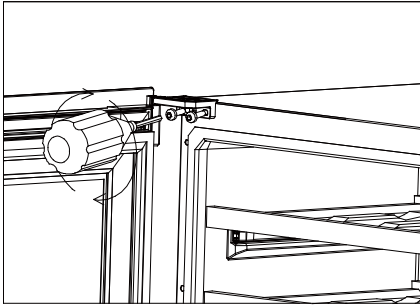


Fig. F – Øvre hængsel

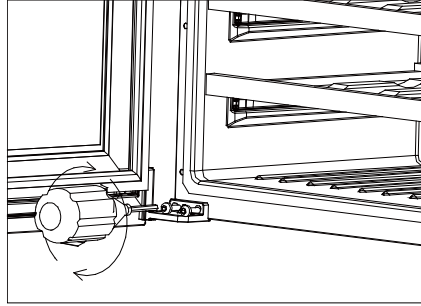


Fig. G – Nedre hængsel

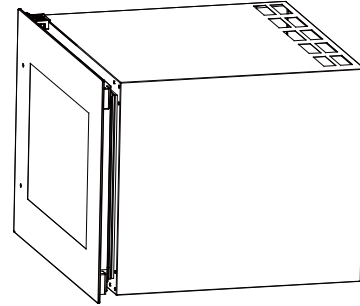


Fig. H – Færdig

DRIFTSFORSTYRRELSER

Sørg for, at der er strøm til stikkontakten ved at tilslutte et andet el-apparat. Kontrollér sikringen, hvis muligt. Sørg for, at døren er lukket korrekt.

Hvis dit vinkøleskab synes at være defekt, skal du tage det ud af stikket og kontakte dit salgssted. Enhvert arbejde på det kolde kredsløb skal udføres af en autoriseret køleprofessionel, som skal foretage en inspektion af kredsløbsforseglingen. Tilsvarende skal enhver arbejde på det elektriske system udføres af en autoriseret elektriker.

Bemærk: *Al arbejde udført af ikke-autoriserede personer kan resultere i at garantien bortfalder.*

STRØMAFBRYDELSE OG -FORSTYRRELSER

I tilfælde af strømafbrydelse bevares alle tidligere temperaturindstillinger automatisk, og systemet vender tilbage til en forudindstillet temperaturindstilling.

De fleste strømfejl korrigeres inden for en kort periode. Tab af strøm i en time eller to vil ikke påvirke temperaturerne i vinkøleskabet. For at undgå en pludselig temperaturændring, mens strømmen er slukket, anbefales det at undgå at åbne døren. Ved længere tid med strømsvigt skal du træffe foranstaltninger for at beskytte din vin.

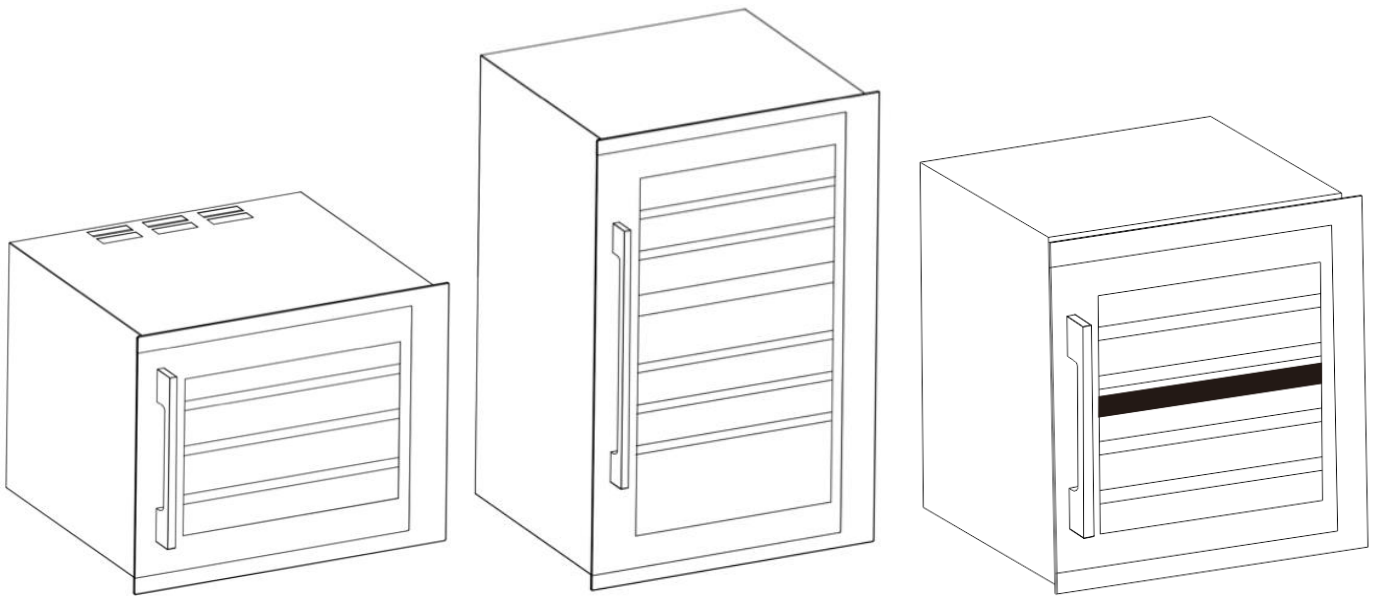
PeVino

FEJLFINDINGSGUIDE

De fleste almindelige problemer kan nemt løses, hvilket sparer dig for omkostningerne ved et eventuelt serviceopkald. Læs venligst brugsanvisningen nøje, og vend tilbage til fejlfindingsguiden.

| PROBLEM | MULIG ÅRSAG |
|--|---|
| Vinkøleskab kører ikke. | Ikke tilsluttet strøm. Vinkøleskabet er slukket. HFI-relæet er slået til eller sikringen er gået. |
| Vinkøleskab køler ikke nok. | Check temperaturindstillingen. Ydre omgivelser kan skabe andet behov for ændring af indstillinger. Døren åbnes for ofte. Døren er ikke ordentligt lukket. Dørpakningen forsejler ikke ordentligt. |
| Tænder og slukker for ofte. | Rumtemperaturen er varmere end normalt. Døren åbnes for ofte. Døren er ikke ordentligt lukket. Dørpakningen forsejler ikke ordentligt. Temperaturkontrollen er ikke indstillet korrekt. |
| Lyset virker ikke. | Ikke tilsluttet strøm. Vinkøleskabet er slukket. HFI-relæet er slået til eller sikringen er gået. Pæren er i stykker. Lyset er slukket på displayet. |
| Vibrationer | Sørg for at vinkøleskabet står i perfekt lod og vater. |
| Vinkøleskabet ser ud til at støje for meget. | Den raslende lyd kan skyldes cirkuleringen af kølegas, hvilket er helt normal. Ved slutningen af hver kølecyklus kan der opstå en klukkende lyd pga. kølevæsken i systemet. Knirkende/smældende lyde - sker som følge af sammentrækning og udvidelse af kølemiddelgassen for at producere kulde. Vinkøleskabet er ikke i perfekt vater. Vinkøleskabet kan ikke komme af med varmen pga. manglende ventilation, og det skal derfor arbejde mere for at producere kulde., |
| Døren vil ikke lukke ordentligt. | Vinkøleskabet er ikke i perfekt vater. Døren var ikke vendt eller monteret ordentligt. Fejl i dørens pakning. (Magnet eller gummi defekt) Hylder ikke på plads og blokerer døren. |

WEINKÜHLSCHRANK BEDIENUNGSANLEITUNG



PeVino - PI24S-B

PeVino - PI24S-S

PeVino - PI48D-B

PeVino - PI48D-S

PeVino – PI30D-B

PeVino – PI30D-S

Diese Weinkühlschränke sind ausschließlich integrierbar und zum Einbau in einen Schrank konzipiert.

WWW.PEVINO.COM

PeVino

DANKE FÜR IHREN KAUF EINES WEINKÜHLSCHRANKS VON PEVINO.

BITTE LESEN UND BEFOLGEN SIE VOR DER NUTZUNG ALLE SICHERHEITSREGELN UND BEDIENUNGSANWEISUNGEN.

ACHTUNG

Änderungen in diesem Dokument können ohne Vorankündigung erfolgen.

WICHTIGE SICHERHEITSANWEISUNGEN

Um bei der Verwendung des Geräts die Gefahr von Brand, elektrischen Schlägen oder Schäden zu minimieren, müssen Sie diese grundlegenden Verhaltensregeln beachten.

Um die Dichtung der Tür nicht zu beschädigen, müssen Sie sicherstellen, dass die Tür komplett geöffnet ist, wenn die Regalböden auf den Schienen herausgezogen werden.

Das Gerät muss so platziert sein, dass der Stecker zugänglich ist. Den Stecker herausziehen. Den Schrank auf die gewünschte Position verschieben. Den Schrank nicht verschieben, während er mit Weinflaschen befüllt ist.

Falls das Kabel beschädigt ist, muss es vom Hersteller oder einem Elektriker ausgetauscht werden.

Aus Sicherheitsgründen und für eine optimale Funktion müssen alle Weinkühlschränke eine aktive Erdung besitzen und an allen Seiten genau waagrecht und senkrecht ausgerichtet sein.

Dieser Weinkühlschrank ist ausschließlich zum Kühlen von Wein konzipiert.

Dieses Gerät ist nicht für die Nutzung von Personen (hierunter Kinder) konzipiert, die eingeschränkte körperliche, sensorische oder mentale Fähigkeiten besitzen oder einen Mangel an Erfahrung und Wissen. Es sei denn, sie werden beaufsichtigt oder haben eine Einweisung zur Nutzung des Weinkühlschranks von einer Person erhalten, die für deren Sicherheit verantwortlich ist.

Das Gerät ist für den Haushalt und ähnliche Orte konzipiert wie z. B.:

- Personal-Küchenbereiche in Geschäften, Büros und anderen Arbeitsumgebungen.
- Ferienhäuser und für Besucher in Hotels, Motels und andere Arten von Wohnformen; Bed & Breakfast-Pensionen;
- Kantinen, Restaurants und ähnliche Umgebungen.

ACHTUNG

NICHT kinderfreundlich! Defekte oder hinterlassene Geräte können für Kinder eine Gefahrenquelle darstellen. Deshalb sollten sie fachgerecht entsorgt werden, wenn sie nicht mehr verwendet werden können.

Vor dem Entsorgen des alten Weinkühlschranks: Bauen Sie die Tür ab, damit die Kinder nicht hineinklettern können. Kinder dürfen keinesfalls das Gerät bedienen, damit spielen oder hineinkriechen.

Die Geräteteile dürfen keinesfalls mit brennbaren Flüssigkeiten gereinigt werden. Die Dämpfe können ein Brand- oder Explosionsrisiko darstellen. Brennbar Flüssigkeiten dürfen nie in der Nähe dieses oder anderer Geräte gelagert oder verwendet werden. Die Dämpfe können ein Brand- oder Explosionsrisiko darstellen.

ACHTUNG: Es kann das Risiko bestehen, dass Kinder festgeklemmt werden können. Deshalb sollten Sie vor dem Entsorgen des Weinkühlschranks Folgendes tun:

- Die Tür abnehmen.
- Lesen Sie die Regalböden im Schrank, damit die Kinder nicht hineinklettern können.
- Die Entsorgung darf nur auf einem offiziellen Recyclinghof stattfinden.

PeVino

R600a WARNUNG:

Zur eigenen Sicherheit müssen folgende Empfehlungen befolgt werden.

Dieses Gerät enthält eine geringe Menge an E600a-Kühlmittel, das umweltfreundlich, aber feuergefährlich ist. Es beschädigt nicht die Ozonschicht und verstärkt nicht den Treibhauseffekt. Während des Transports und der Installation müssen Sie dafür sorgen, dass der Kühlmittelkreislauf nicht beschädigt wird.

Vermeiden Sie die Verwendung von scharfen Gegenständen in der Nähe des Geräts.

Ausgelaufenes Kühlmittel kann sich entzünden und die Augen beschädigen.

Falls Schäden auftreten, müssen offenes Feuer und eventuelle Funken vermieden werden. Sofort die Stromzufuhr zum Gerät unterbrechen.

Den Raum, in dem das Gerät aufgestellt ist, gründlich belüften.


Den Kundenservice hierüber informieren, um Beratung zu erhalten.

Der Raum, in dem das Gerät installiert werden soll, muss mindestens 1 Kubikmeter pro 8 Gramm Kühlmittel groß sein.

Die Kühlmittelmenge in diesem Gerät ist oben in Gramm angegeben. Dies ist auch auf dem Typenschild des Geräts vermerkt.

ACHTUNG: Um eine Gefahr wegen Instabilität am Gerät zu vermeiden, ist es wichtig, dass dieses gemäß den Anweisungen befestigt wird.



Dieses Symbol  ist eine Warnung und zeigt an, dass das Kühlmittel und das Isoliergas entzündbar sind.

ACHTUNG: Feuergefahr/entzündbare Materialien

ACHTUNG — Bewahren Sie in diesem Gerät keine explosiven Gegenstände wie Spraydosen mit einem brennbaren Triebmittel auf.

ACHTUNG — Während des Platzierens des Geräts müssen Sie sicherstellen, dass das Kabel nicht eingeklemmt oder beschädigt wird.

ACHTUNG — Keine Verlängerungskabel an der Rückseite des Geräts anbringen.

ACHTUNG — Das Kühlmittel und das Isolierungsbläsergas sind entzündbar. Die Entsorgung des Apparats darf nur auf einem offiziellen Recyclinghof stattfinden. Das Gerät darf nicht Flammen ausgesetzt werden.

Es kann für andere als autorisierte Servicemonteure gefährlich sein, an diesem Gerät Service oder Reparaturen durchzuführen.

ACHTUNG: Die Lüftungsöffnung im Gehäuse des Geräts muss freigehalten werden.

ACHTUNG: Verwenden Sie keine mechanischen Geräte oder andere Mittel, um den Abtauprozess zu beschleunigen - außer denen, die vom Hersteller empfohlen werden.

ACHTUNG: Den Kühlmittelkreislauf nicht beschädigen.

ACHTUNG: Keine elektrischen Geräte im Lagerfach des Geräts verwenden, es sei denn, sie sind von einem Typ, den der Hersteller empfiehlt.

ACHTUNG: Wenn das Gerät für längere Zeit nicht genutzt wird, muss der Stecker aus der Steckdose gezogen oder die Stromzufuhr unterbrochen werden.

ACHTUNG: Dieses Gerät ist nicht für die Nutzung von Personen (hierunter Kinder) konzipiert, die eingeschränkte körperliche, sensorische oder mentale Fähigkeiten besitzen oder einen Mangel an Erfahrung und Wissen. Es sei denn, sie werden beaufsichtigt oder haben eine Einweisung zur Nutzung des Weinkühlschranks von einer Person erhalten, die für deren Sicherheit verantwortlich ist.

ACHTUNG: Kinder müssen beaufsichtigt werden um zu gewährleisten, dass sie mit dem Gerät nicht spielen.

ACHTUNG: Kein Verlängerungskabel und keine nicht-geerdeten (zwei Zweige) Adapter verwenden.

ACHTUNG: Falls das Kabel beschädigt ist, muss es vom Servicetechniker der Herstellers oder einer ähnlich qualifizierten Person ausgetauscht werden, um Gefahren zu vermeiden.

PeVino

HEBEN SIE DIESE ANLEITUNG ZUR EVENTUELLEN SPÄTEREN VERWENDUNG AUF

VOR DEM ANSCHLIESSEN UND BEFÜLLEN DES WEINKÜHLSCHRANKS

Vor der Nutzung des Weinkühlschranks

- Die Innen- und Außenverpackung entfernen.
- Vor dem Anschluss des Geräts an die Stromzufuhr muss es ca. 6 Stunden lang aufrecht stehen. So wird das Risiko eines Funktionsfehlers im Kühlsystem reduziert.
- Die Innen-Oberflächen mit lauwarmem Wasser und einem weichen Tuch reinigen.
- Beim Austausch des Leuchtmittels muss die neue Leuchtquelle dieselbe Fassung, Wattzahl und Spannung aufweisen wie die alte. Vor dem Austausch des Leuchtmittels die Stromzufuhr unterbrechen.

Installation des Weinkühlschranks

- Der Weinkühlschrank muss auf einem Untergrund oder einer Oberfläche angebracht werden, die stark genug ist, wenn das Gerät komplett beladen ist. Achten Sie darauf, dass der Weinkühlschrank komplett waagrecht steht, indem Sie die Beine unter dem Boden justieren.
- Der Weinkühlschrank darf nicht direktem Sonnenlicht ausgesetzt werden oder in der Nähe von Wärmequellen stehen (Herd, Heizelement, Heizkörper usw.). Direkte Sonneneinstrahlung kann den Acrylüberzug beschädigen, und die Wärmequellen können den Stromverbrauch erhöhen.
- Extrem niedrige Umgebungstemperaturen können ebenfalls zu einer Fehlfunktion des Geräts führen.
- Das Gerät darf nicht in eine feuchte Umgebung gestellt werden.
- Den Weinkühlschrank an eine Steckdose mit Erdung anschließen. Alle Fragen bezüglich des Stroms müssen an einen autorisierten Elektroinstallateur gerichtet werden.

Bitte beachten Sie Folgendes:

- Den Wein in geschlossenen Flaschen aufbewahren.
- Den Schrank nicht übermäßig belasten.
- Die Tür nur bei Bedarf öffnen.
- Die Regalböden nicht mit Alufolie oder anderem Regalmaterial bekleiden, was die Luftzirkulation beeinträchtigen kann.
- Falls der Weinkühlschrank für längere Zeit nicht genutzt wird, sollte nach einer gründlichen Reinigung die Tür einen spaltbreit aufstehen, damit die Luft im Schrank zirkulieren kann. So wird die Bildung von Feuchtigkeit, Schimmel und unangenehmen Gerüchen verhindert.
- Der mitgelieferte Aktivkohlefilter (entfernt Schimmel und unangenehme Gerüche) sollte mindestens einmal pro Jahr demontiert und zum Trocknen/Lüften in die Sonne gelegt werden.

AT DEN WEINKÜHLSCHRANK WAAGERECHT UND SENKRECHT AUSRICHTEN

ALLE Weinkühlschränke müssen genau waagrecht und senkrecht aufgestellt sein, bevor sie mit Weinflaschen befüllt werden. Dieser Weinkühlschrank ist mit vier verstellbaren Füßen versehen, mit denen der Schrank ganz einfach ausgerichtet werden kann. Es wird empfohlen, die hinteren Füße zunächst komplett festzuschrauben, um danach die vorderen Füße zu justieren, bis der Schrank komplett gerade steht.

PeVino

ANWEISUNGEN ZUR INSTALLATION VON INTEGRIERBAREN WEINKÜHLSCHRÄNKEN: *WEINKÜHLSCHRÄNKE AUSSCHLIESSLICH MIT FRONTBELÜFTUNG*

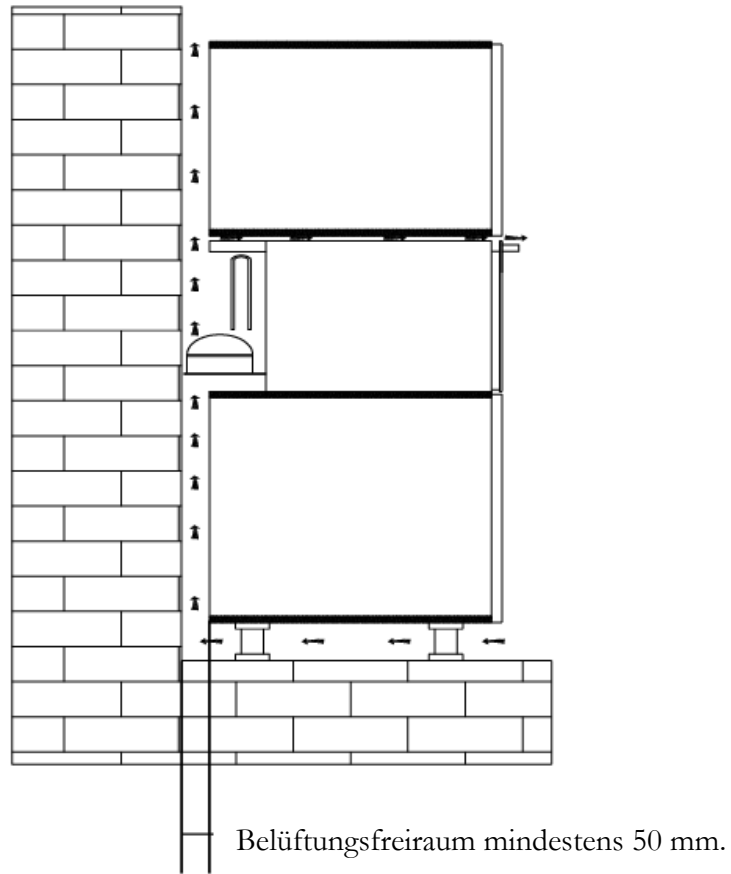
1. Integrierbare Weinkühlschränke besitzen eine Frontbelüftung und sind nicht konzipiert, um komplett hinter einer festen Abdeckung integriert zu werden (z. B. einer Schrankfront in der Küche).
2. Bitte befolgen Sie bei der Installation des Weinkühlschranks das Installationsdiagramm. Unterschreiten Sie nie die Minimalanforderungen an die Abmessungen.
3. Der Lufteinlass des Weinkühlschranks befindet sich rechts vom Lüftungsgitter unter der Tür und bläst die Luft an derselben Stelle auf der linken Seite aus.
4. Der Weinkühlschrank hat am Bedienpanel einen Ein- und Ausschalter (Power on/off).
5. Der Weinkühlschrank muss standardmäßig mit 240 Volt/10 A angeschlossen werden.
6. Die Leitung ist 200 cm lang und hinten rechts angeschlossen.
7. In warmen Klimazonen muss an der Rückseite des Gehäuses oder beidseitig oben ein Lüftungskanal oder Gitter mit einer Mindestventilationsgröße von 200 mm x 50 mm ausgeschnitten werden. So wird eine Frischluftzufuhr zum 30 mm tiefen Zwischenraum hinten am Gehäuse gewährleistet. Dieser Luftauslass bzw. dieses Gitter darf nicht zur selben Seite hin geöffnet sein wie andere Geräte wie z. B. Öfen. Er darf ebenfalls nicht zu einem Bereich hin ohne kühle Frischluftzufuhr geöffnet werden.

ACHTUNG: Der Weinkühlschrank muss so platziert werden, dass nach der Installation die Stromzufuhr zugänglich ist.

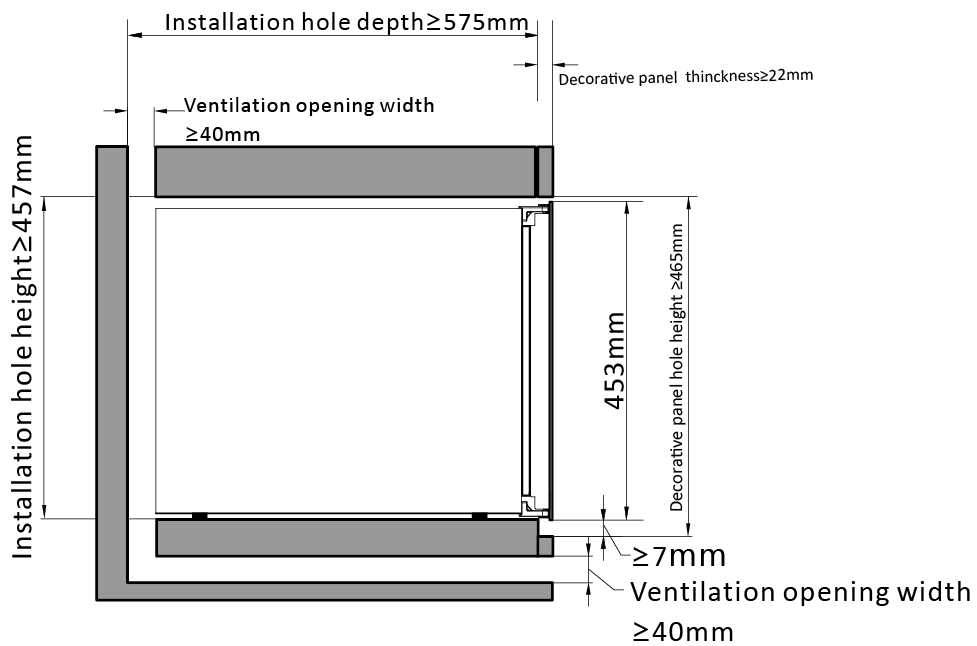
INSTALLATIONS DIAGRAMME

Dies ist ein integrierbarer Weinkühlschrank, der in einem Schrank/Gehäuse installiert werden muss. Das Gehäuse/Schranelement muss gut belüftbar sein und darf keine Schrankrückseite haben, da ansonsten die normale Funktion des Weinkühlschranks beeinträchtigt wird. Bitte befolgen Sie das Installationsdiagramm.

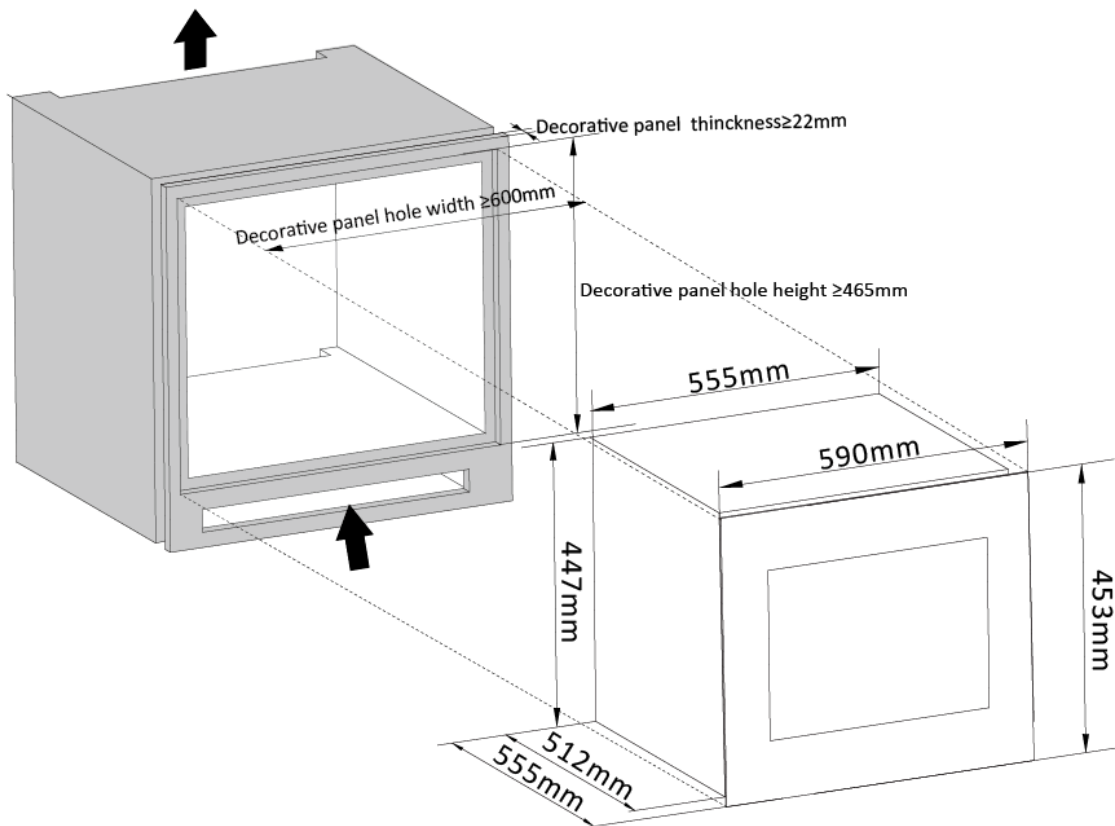
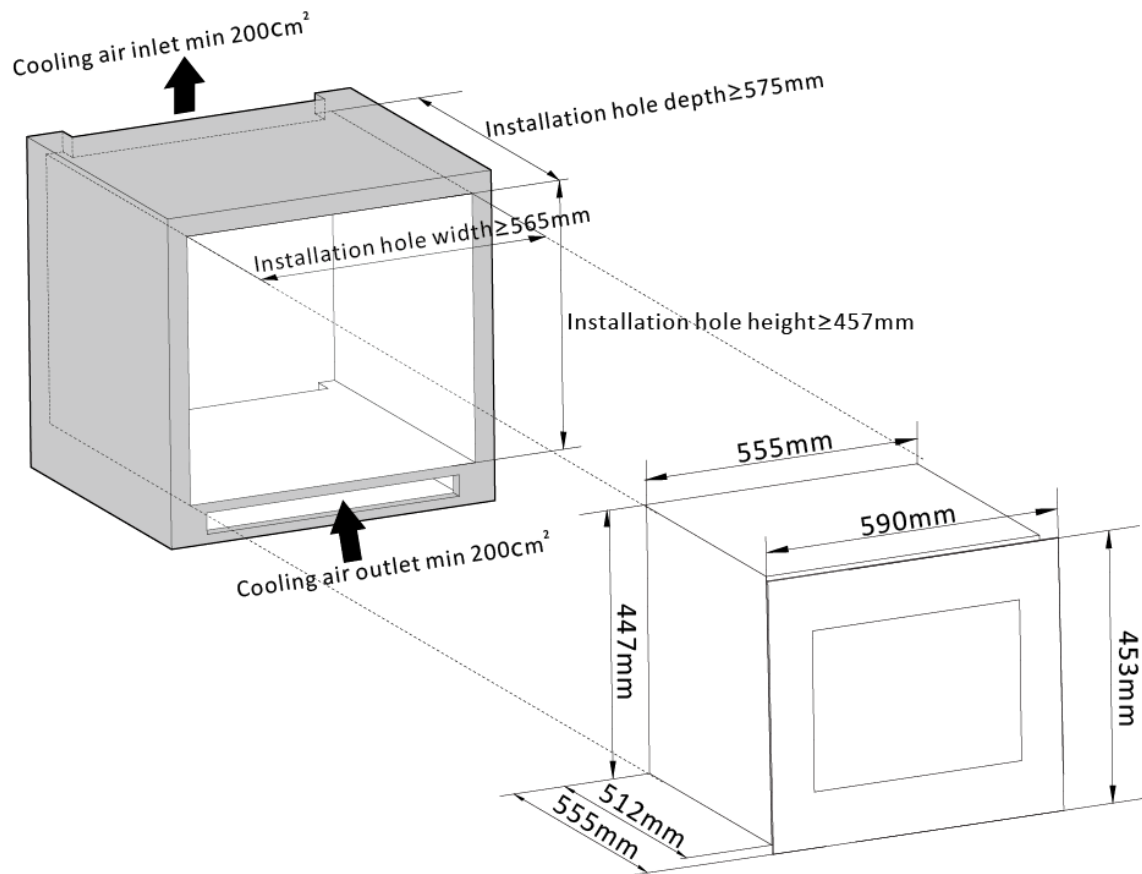
PeVino



PeVino PI24S-B und PI24S-S

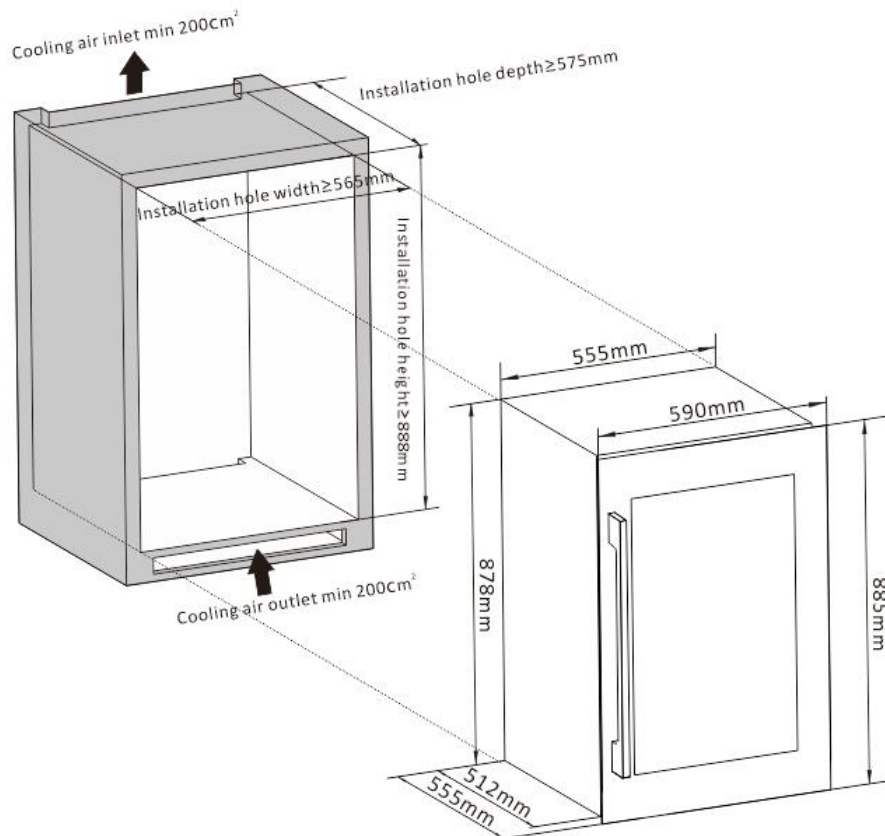
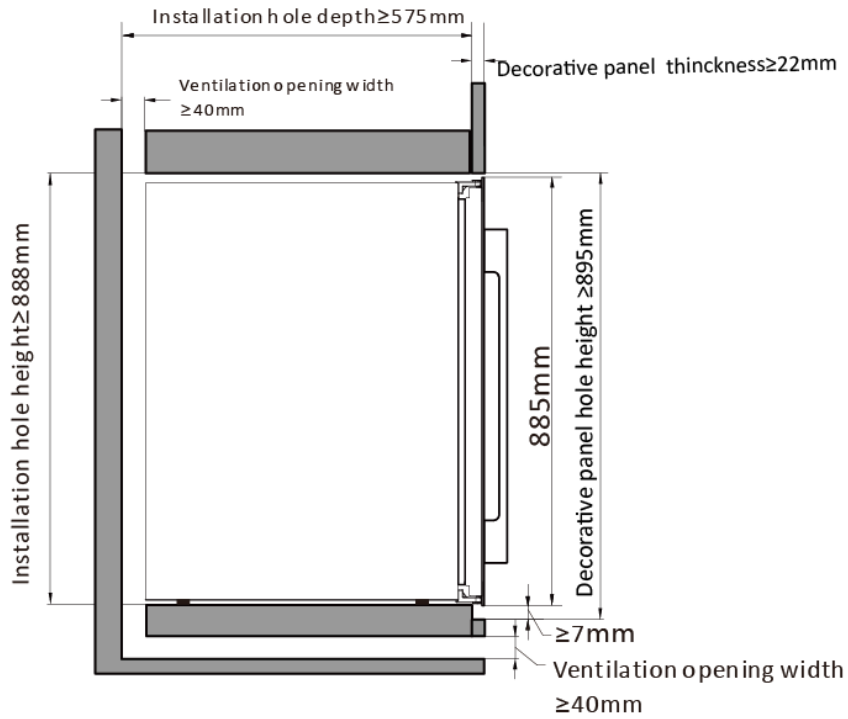


PeVino

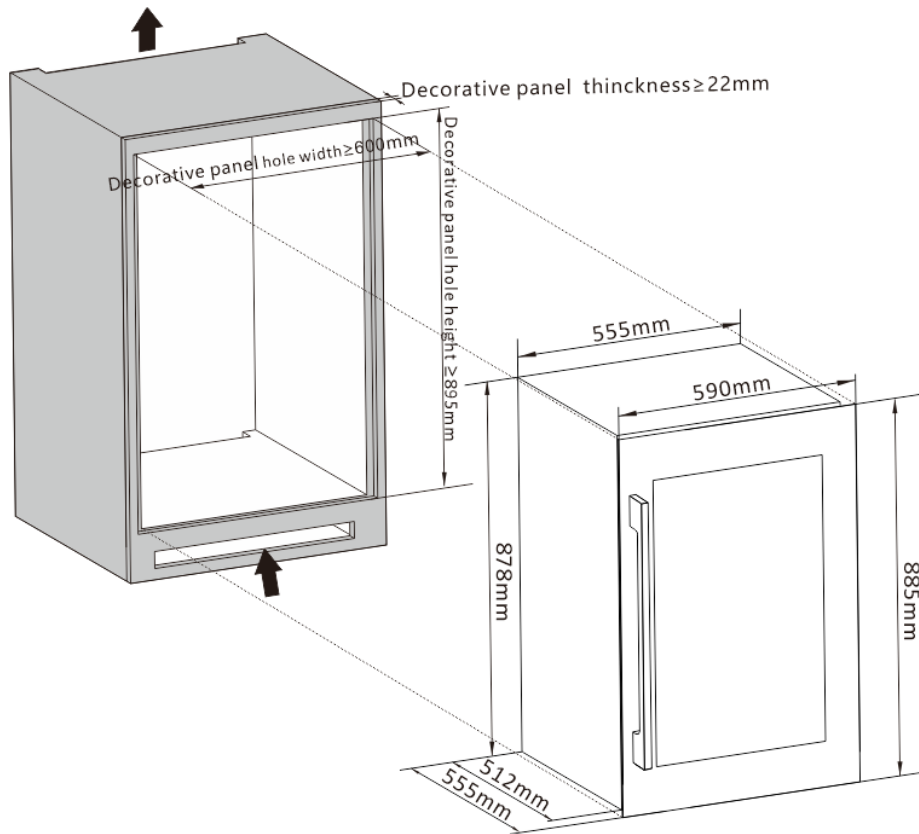


PeVino

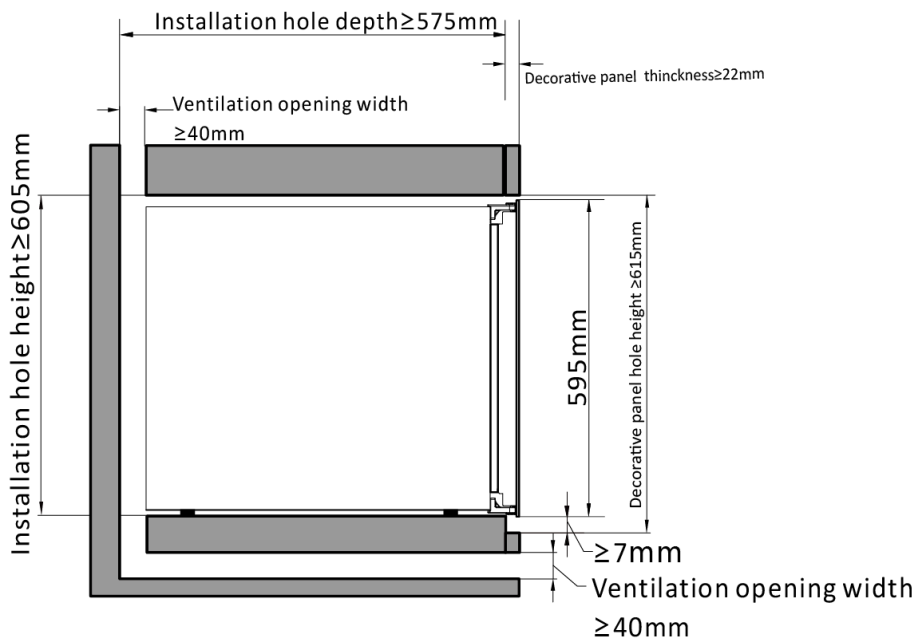
PeVino PI48D-B und PI48D-S



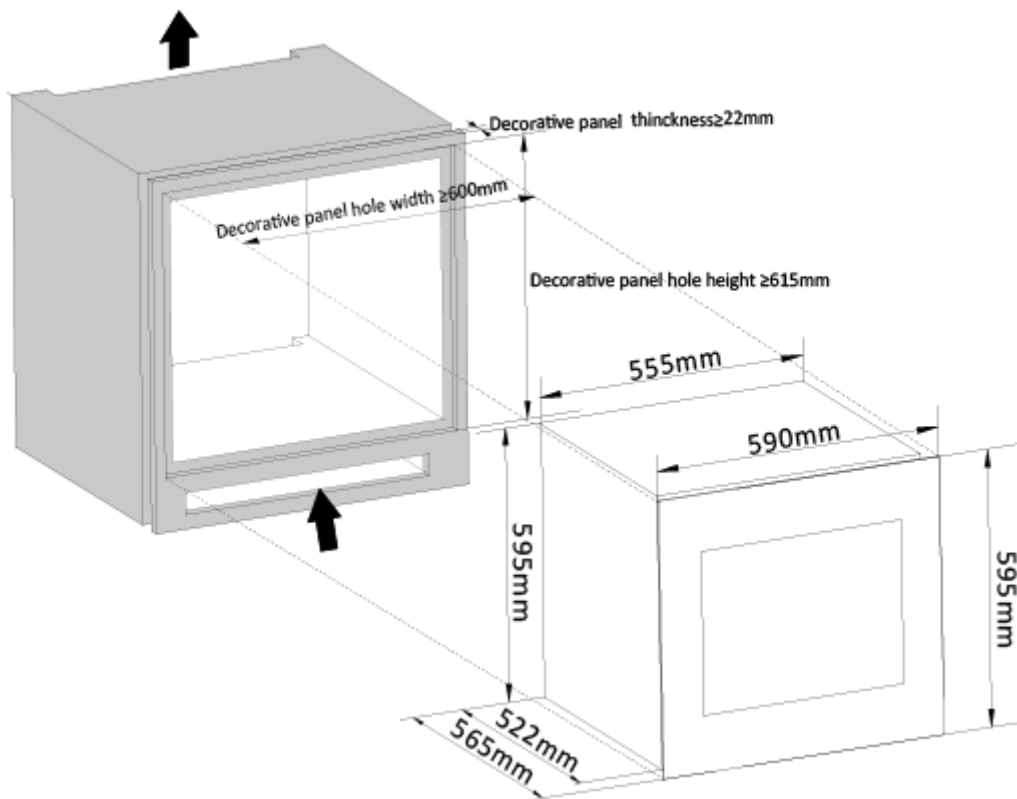
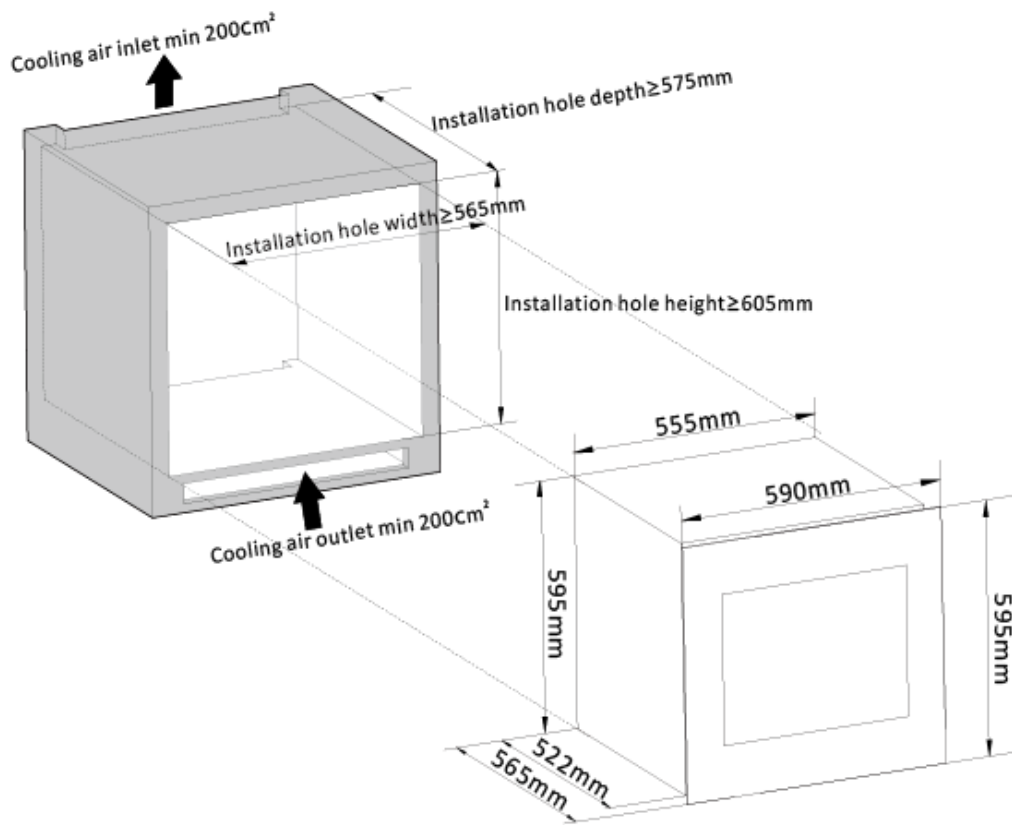
PeVino



PeVino PI30D-BP und PI30D-WP



PeVino



PeVino

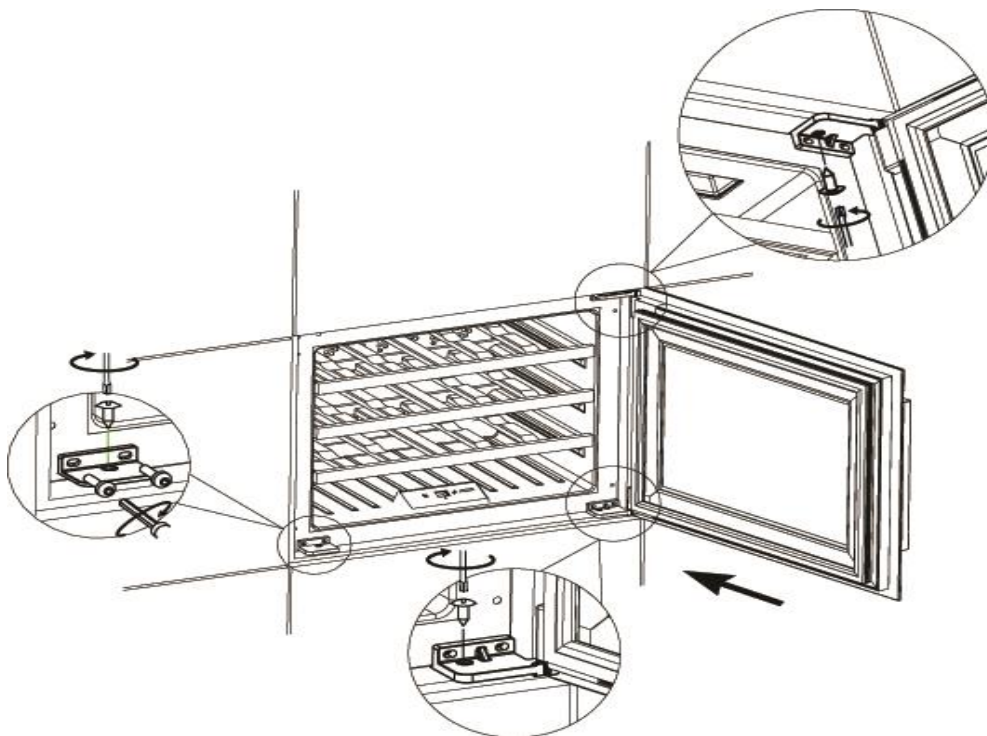
INSTALLATION IM KÜCHENSCHRANK

1. Den Weinkühlschrank im Küchenschrank platzieren und die FüÙe so einstellen, dass der Schrank optimal waagrecht und senkrecht ausgerichtet ist.

2. Die Tür öffnen und den Zubehörbeutel mit der Fixierplatte, zwei Innensechskantschrauben und einem Inbusschlüssel zur Hand nehmen. Mit dem Inbusschlüssel die Fixierplatte unten links am Weinkühlschrank befestigen.

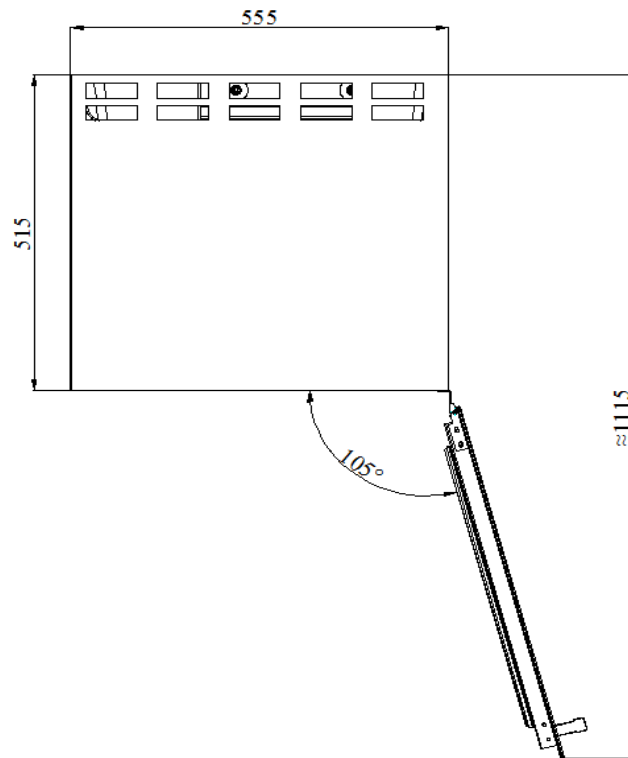
3. Drei Phillips-Sechskantschrauben aus dem Zubehörbeutel entnehmen. Mit einem Philips-Sechskantschraubenzieher die Fixierplatte am Gehäuse unten links am Weinkühlschrank mit einer der Schrauben befestigen. Die anderen zwei Schrauben werden verwendet, um den Weinkühlschrank am Gehäuse an den zwei Türscharnieren rechts anzuschrauben.

(Achtung: Falls der Türanschlag auf der anderen Seite erfolgen soll, müssen diese Anweisungen spiegelverkehrt befolgt werden. In dieser Anleitung ist an anderer Stelle erklärt, wie die Tür gewendet wird).



PeVino

TÜRÖFFNUNG - WINKEL UND ABMESSUNGEN



START DES WEINKÜHLSCHRANKS

Das Gerät anschließen und durch das Betätigen des Ein- und Ausschalters für einige Sekunden einschalten. Wenn der Weinkühlschrank zum ersten Mal in Betrieb genommen oder nach einem langen Zeitraum neu gestartet wird, werden in den ersten Betriebsstunden einige Grade Differenz zwischen der gewählten Temperatur und der auf dem LED-Display angezeigten Temperatur auftreten. Dies ist normal und durch die Länge der Aktivierungsdauer begründet. Wenn der Weinkühlschrank einige Stunden lang in Betrieb gewesen ist, wird sich dies stabilisieren.

Wichtig: Falls die Stromzufuhr zum Weinkühlschrank unterbrochen worden ist, der Strom ausfällt oder abgeschaltet wird, müssen Sie vor einem erneuten Hochfahren 3-5 Minuten lang warten. Der Weinkühlschrank wird nicht gestartet, falls Sie vor dieser Verzögerung einen Neustart versuchen.

BETRIEBSGERÄUSCHE

Um die gewünschten Temperatureinstellungen zu erzielen, kann dieser Weinkühlschrank folgende Arten von Geräuschen produzieren (wie alle Weinkühlschränke mit Kompressor und Ventilator):

Geräusche sind normal und können folgendermaßen auftreten:

Gluckernde und zischende Geräusche - verursacht vom Kühlmittel, das durch die Rohre und Düsen des Systems strömt.

Knackende/schnalzende Geräusche - Folge des Zusammenziehens und Erweiterns des Kühlmittelgases, um Kälte zu produzieren.

Windgeräusch - das Gebläse sorgt für die Luftzirkulation im Weinkühlschrank.

PeVino

BEFÜLLEN DES WEINKÜHLSCHRANKS

Sie können die Weinflaschen ein- oder doppelreihig einlegen, während Sie dabei Folgendes beachten: Falls nicht ausreichend viele Flaschen zum kompletten Befüllen des Weinkühlschranks zur Verfügung stehen, ist es besser, die Flaschen gleichmäßig im Weinkühlschrank zu verteilen. Sie können die verstellbaren Holzeinlegeböden entfernen oder verschieben, so dass im Schrank Platz für größere Flaschen ist. Bei Bedarf können Sie auch die Platzkapazität erweitern, indem Sie die Flaschen stapeln. (Siehe: Entfernen von Regalböden)
Für kleine Zwischenräume zwischen den Innenwänden und Flaschen sorgen, damit die Luft zirkulieren kann. Wie in einem unterirdischen (Wein)keller ist die Luftzirkulation wichtig, um die Bildung von Schimmelpilz zu verhindern und um eine gleichmäßigere Temperaturverteilung im gesamten Keller zu gewährleisten.



Den Weinkühlschrank nicht übermäßig belasten.

Die Gebläse nicht versperren (sie befinden sich hinten im Weinkühlschrank).

Die Regalböden nach Möglichkeit nicht länger als bis zur eingerasteten Position herausziehen, damit die Flaschen nicht herauszufallen.

Nicht mehr als einen voll ausgelasteten Regalboden zur Zeit herausziehen, da ansonsten das Gerät nach vorne kippen kann.

Die Regalböden nicht mit Alufolie oder anderen Materialien bekleiden, da dies die Luftzirkulation beeinträchtigen kann.

Den Weinkühlschrank nicht verschieben, während er mit Weinflaschen befüllt ist. Dadurch kann das Gehäuse des Weinkühlschranks verformt werden.

Nach dem ersten Befüllen

Je nach Beladung und den gewählten Einstellungen dauert es etwa 24 Stunden, bis sich die Temperatur im Weinkühlschrank stabilisiert. Während dieser Zeit scheint es, als ob sich die LED-Temperaturanzeige unregelmäßig bewegt. Das ist normal und geschieht, wenn die Einstellung geändert und/oder viele Flaschen in den Weinkühlschrank gelegt werden.

EINSTELLUNG DER TEMPERATUR

Wichtig: Das LED-Display gibt standardmäßig die reelle Lufttemperatur im Schrank an.

Die Leiterplatte in allen Modellen ist mit einer Speicherfunktion versehen. Alle Einstellungen werden auf die im Voraus eingestellte Temperatur zurückgesetzt, wenn die Stromzufuhr wiederhergestellt ist.

ACHTUNG!

Es ist wichtig zu verstehen, dass ein Unterschied zwischen der Lufttemperatur im Weinkühlschrank und der realen Temperatur des Weins besteht.

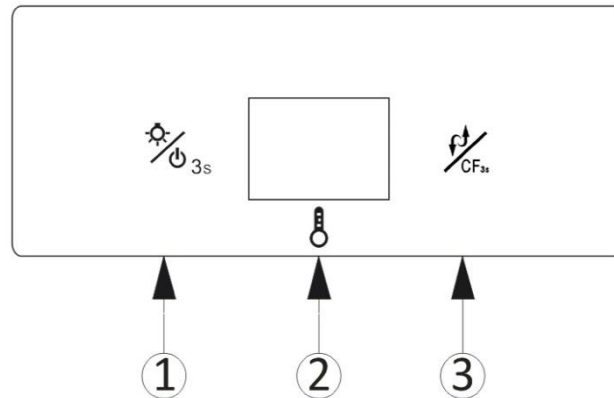
Wenn die Temperatur eingestellt ist, wird dringend empfohlen, dass diese sich etablieren kann und nicht zu oft verstellt wird. Sie sollten eine ca. 24-stündige Wartezeit einkalkulieren, bis sich der Effekt der Temperaturanpassung bemerkbar macht. Dies liegt an der Masse, dem Volumen und der Dichtheit eines vollen Weinkühlschranks.

Der Thermostat hält die Temperatur im Weinkühlschrank in einem Bereich von +/- 2,5°C. Durch die thermische Trägheit des Weins und des Glases bewegt sich die tatsächliche Temperatur im Wein innerhalb dieses Temperaturbereichs im Intervall von 0,5°C bis 1°C.

PeVino

DISPLAY - BEDIENUNGSANLEITUNG

Für PI24S-B und PI24S-S



○,1 Ein/Aus und Licht:

Im Standby-Modus: 3 Sekunden lang gedrückt halten. Der Strom wird eingeschaltet und das System wird gestartet.

Im Betriebsmodus: Kurz diesen Schalter drücken. Das LED-Licht wird ein- bzw. ausgeschaltet.

Im Betriebsmodus: 3 Sekunden lang gedrückt halten. Der Strom wird ausgeschaltet und das System wird gestoppt.

○,2 Display:

Zeigt die reelle Temperatur im Weinkühlschrank an.

○,3 Temperatureinstellung (Kreisprozess):

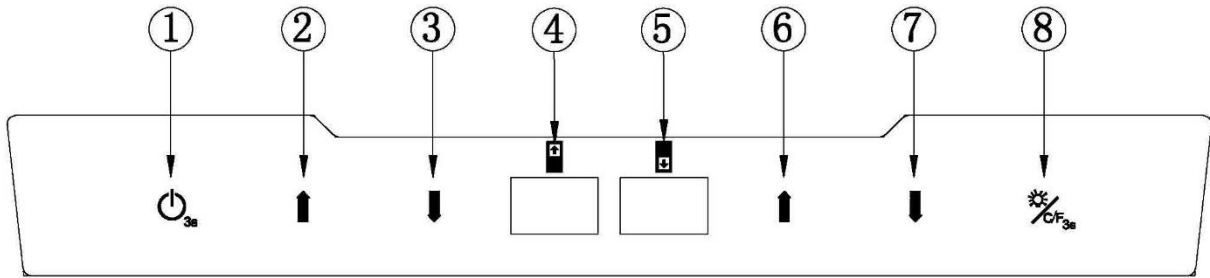
Bei jedem Druck auf diesen Schalter fällt die Innentemperatur um 1°C, bis sie die niedrigstmögliche Einstellung erreicht. Danach steigt sie wieder auf die höchste Temperatur. Dies kann im Bereich der möglichen Temperatureinstellungen in einem kreisförmigen Intervall fortgesetzt werden.

○,3 Auswahl der Temperaturanzeige °C/°F:

Durch einen Druck auf diesen Schalter kann die Temperatur wahlweise in Celsius oder Fahrenheit angezeigt werden.

PeVino

Für PI48D-B und PI48D-S



○,1  **Ein/Aus:**

3 Sekunden lang gedrückt halten, um auszuschalten. (Auf dem Display ④ wird gezählt: 3 - 2 - 1). Zum Einschalten erneut drücken.

○,2  **Obere Zone Temperatureinstellung NACH OBEN:**

Nach einmaligem Drücken wird auf dem Display ④ die Anzeige um 1 Grad Celsius steigen.

○,3  **Obere Zone Temperatureinstellung NACH UNTEN:**

Nach einmaligem Drücken wird auf dem Display ④ die Anzeige um 1 Grad Celsius sinken.

○,4  **Display:**

Zeigt die Temperatur in der oberen Zone an.

○,5  **Display:**

Zeigt die Temperatur in der unteren Zone an.

○,6  **Untere Zone Temperatureinstellung NACH OBEN**

Nach einmaligem Drücken wird auf dem Display ○,5 die Anzeige um 1 Grad Celsius sinken.

○,7  **Untere Zone Temperatureinstellung NACH UNTEN:**

Nach einmaligem Drücken wird auf dem Display ⑤ die Anzeige um 1 Grad Celsius fallen.

○,8  **Licht Ein/Aus:**

Drücken, um das Licht ein- und auszuschalten.

○,8  **Wahl der Temperaturanzeige °C/°F:**

Durch einen Druck auf diesen Schalter kann die Temperatur wahlweise in Celsius oder Fahrenheit angezeigt werden.

PeVino

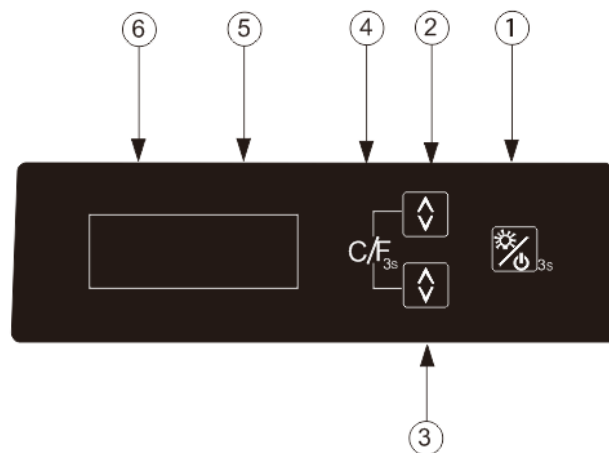
WICHTIG ZUR LAGERUNGSTEMPERATUR VON WEIN

Ihr Weinkühlschrank ist gemacht, um die optimalen Bedingungen zum Lagern und/oder Servieren Ihrer Weine zu bieten. Guter Wein setzt eine lange und stabile Reifung voraus und erfordert besondere Bedingungen, um sein volles Potenzial zu entfalten.

Alle Weine reifen optimal bei derselben Ideal-Temperatur, welche eine konstante Temperatur zwischen 12°C und 14°C ist. Wie bei natürlichen Weinkellern, die von Winzern zur Langzeitlagerung von Wein verwendet werden, ist nicht die präzise Temperatur ausschlaggebend, sondern deren Konsistenz. Mit anderen Worten: solange die Temperatur des Weinkühlschranks konstant ist (12°C - 14°C), werden Ihre Weine unter idealen Bedingungen gelagert.

Nicht alle Weine werden mit den Jahren besser. Einige sollten jung (2 bis 3 Jahre) genossen werden, während andere ein enorm langes Lagerpotenzial besitzen (50 Jahre und mehr). Alle Weine haben ein optimales Reifefenster. Lassen Sie sich hierzu vom Weinhändler Ihres Vertrauens beraten.

Für PI30D-BP und PI30D-WP



① Licht Ein/Aus:

Wenn das Kabel angeschlossen ist: Die Taste ca. 3 Sekunden lang gedrückt halten; das Gerät wird eingeschaltet und die Maschine startet. Wenn das Gerät eingeschaltet ist: Die Taste betätigen, um die LED-Beleuchtung einzuschalten. Erneut drücken, um die LED-Beleuchtung auszuschalten. Zum Ausschalten des Geräts die Taste 3 Sekunden lang gedrückt halten.

② Taste zum Einstellen der Temperatur in der oberen Zone:

Einstellen der Temperatur in der oberen Zone. Die Temperatur kann zwischen 10°C und 20°C eingestellt werden.

③ Taste zum Einstellen der Temperatur in der unteren Zone:

Einstellen der Temperatur in der unteren Zone. Die Temperatur kann zwischen 5°C und 12°C eingestellt werden.

④ Temperaturanzeigetaste für C/F

Die Tasten ②③ ca. 3 Sekunden lang gedrückt halten, um zwischen Celsius und Fahrenheit zu wechseln.

○,5 Display:

Zeigt die Temperatur in der unteren Zone an.

○,6 Display:

Zeigt die Temperatur in der oberen Zone an.

PeVino

ABTAUEN - KONDENSATBILDUNG - BELÜFTUNG

Dieser Weinkühlschrank ist mit einem „Auto-cycle“-Abtausystem ausgestattet. Bei „Off-cycle“ werden die Kühlflächen des Weinkühlers automatisch abgetaut.

Die abgetaute Flüssigkeit/das Kondenswasser läuft automatisch ab, und ein Teil davon wird im Abflussbehälter aufgefangen, der sich auf der Rückseite des Weinkühlschranks neben dem Kompressor befindet. Die Wärme wird vom Kompressor abgeleitet und verdampft gegebenenfalls Kondenswasser, was im Behälter aufgefangen wird.

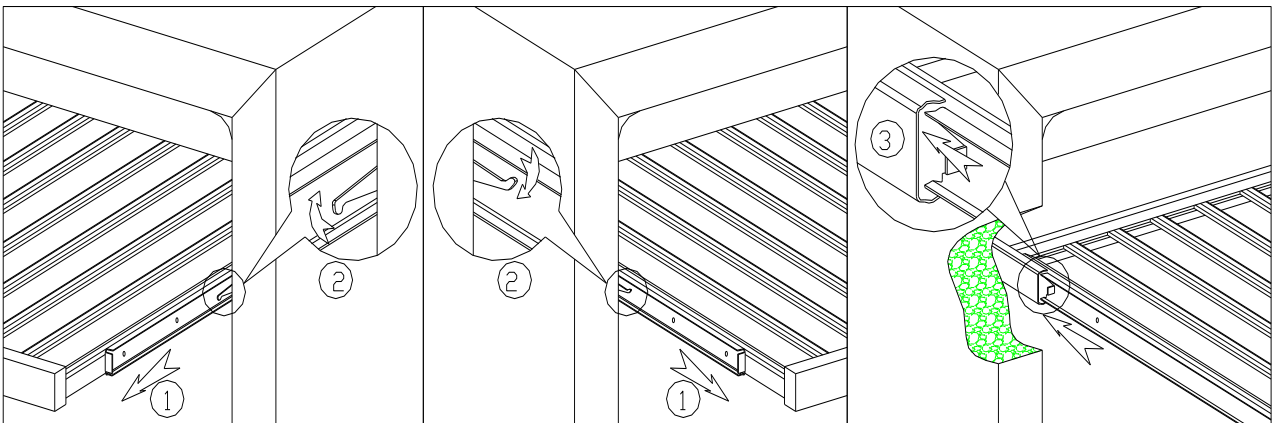
Der Weinkühlschrank ist mit einer doppelten Glastür ausgestattet, die mit einer innenliegenden Acrylschicht versehen ist, um die Kondensatbildung an der Glastür zu minimieren. Der Weinkühlschrank ist nicht komplett versiegelt; die Frischluftzufuhr erfolgt über das Abflussrohr. Die Luft wird mithilfe eines Gebläses und durch die Lamellen an den Regalböden im Schrank verteilt.

Achtung: Während des Kühlzyklus wird Wärme abgesondert, die über die äußeren Oberflächen des Weinkühlschranks abgeleitet wird. Während dieser Zyklen die Oberflächen nach Möglichkeit nicht berühren.

VERSTELLBARE HOLZREGALBÖDEN

Für einen einfachen Zugriff auf die gelagerten Flaschen werden die Regalböden zu ca. 1/3 auf der Schiene herausgezogen.

Einsetzen und Demontage des Regalbodens:



Herausnehmen der Regalböden: Bitte befolgen Sie die Anweisungen beim kompletten Herausziehen der Regalböden aus dem Schrank.

① Die ② Metallstücke an den Seiten der Regalböden eindrücken und den Regalboden in Pfeilrichtung wie abgebildet herausziehen.

Einsetzen der Regalböden: Den Regalboden waagrecht halten und wie abgebildet in Pfeilrichtung zwischen den Gleitschienen einschieben.

PeVino

TÜRANSCHLAG WECHSELN

ACHTUNG:

Um Schäden beim Wechseln des Türanschlags zu vermeiden, wird empfohlen, Hilfe hinzuzuziehen. Die Glastür ist schwer und kann kaputt gehen oder Schäden verursachen, falls sie herunterfällt. Je nach Modell und Art des Griffs, mit dem der Kühlschrank versehen ist, kann es erforderlich sein, die Tür um 180 Grad zu wenden. Dies kann auch die Ursache dafür sein, dass die Tür an sich nicht wendbar ist. Dann muss eine separate Tür bestellt werden, die auf der entgegengesetzten Seite angebracht werden kann.

Das erforderliche Werkzeug (nicht im Lieferumfang enthalten):



Messer



Inbusschlüssel

Achtung: Denken Sie daran, vor dem Ändern des Türanschlags die Stromzufuhr zu unterbrechen. Es ist ratsam, das Wenden der Tür mindestens zu zweit vorzunehmen.

1: Die Tür öffnen. Die oberen und unteren Scharniere mithilfe des Inbusschlüssels abschrauben. Die Tür abnehmen.

(Abb. A und Abb. B)

Abb. A – Oberes Scharnier

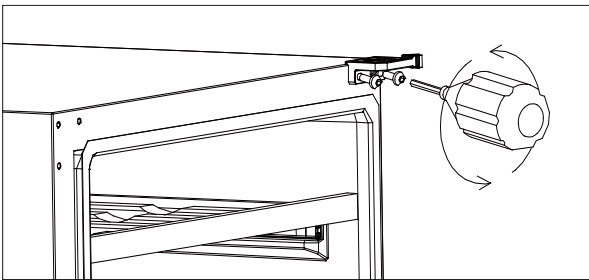
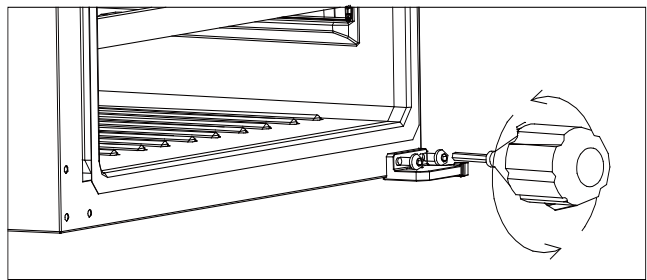


Abb. B – Unteres Scharnier



PeVino

2: Vorsichtig die vier Kunststoffabdeckungen auf der linken Seite des Weinkühlschranks entfernen und in die Löcher auf der rechten Seite des Weinkühlschranks einsetzen.
(Abb. C, Abb. D und Abb. E)

Abb. C – Obere Abdeckungen

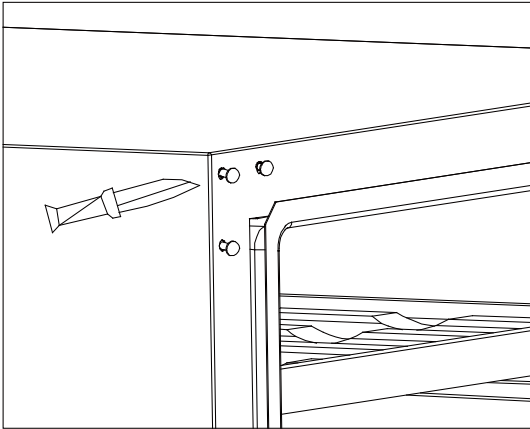


Abb. D – Untere Abdeckungen

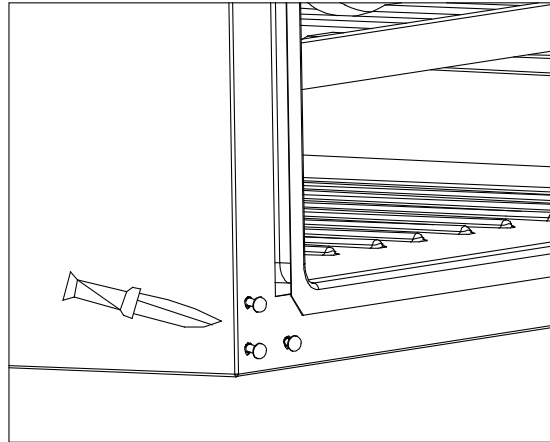
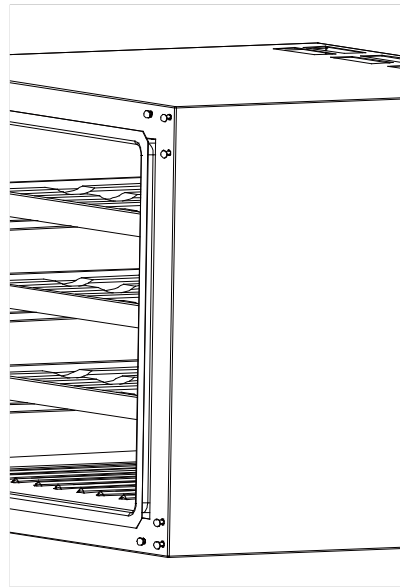


Abb. E – Erneut eingesetzte Abdeckungen



PeVino

3: Die Tür um 180 Grad rotieren und die oberen und unteren Scharniere an die Scharnierlöcher auf der linken Seite anpassen. Die Tür justieren und die Schrauben mit dem Inbusschlüssel nachziehen. Der Türanschlag auf der anderen Seite ist fertig (siehe Abb. F, G und H).

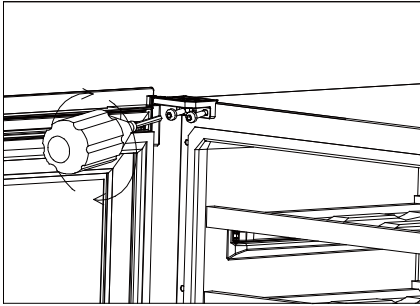


Abb. F – Oberes Scharnier

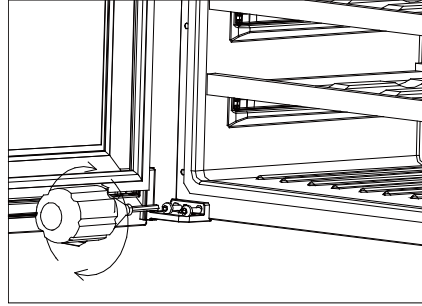


Abb. G – Unteres Scharnier

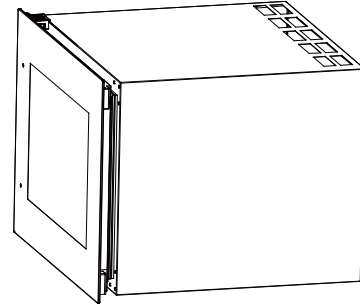


Abb. H – Fertig

BETRIEBSSTÖRUNGEN

Überprüfen Sie, dass die Steckdose intakt ist, indem Sie ein anderes elektrisches Gerät einstecken. Kontrollieren Sie, falls möglich, die Sicherungen. Achten Sie darauf, dass die Tür korrekt geschlossen ist.

Falls Sie einen Defekt am Weinkühlschrank vermuten, müssen Sie den Stecker aus der Steckdose ziehen und die Vertriebsstelle kontaktieren. Jedwede Arbeit am Kältekreislauf muss von einem autorisierten Kältetechniker durchgeführt werden. Dieser Spezialist muss eine Inspektion der Kreislaufversiegelung vornehmen. Dementsprechend müssen alle Formen der Arbeit am elektrischen System von einem autorisierten Elektriker vorgenommen werden.

Achtung: Jedwede Arbeit, die von nicht-autorisierten Personen ausgeführt worden ist, kann dazu führen, dass die Garantie erlischt.

STROMAUSFALL UND -UNTERBRECHUNGEN

Bei einem Stromausfall werden alle früheren Temperatureinstellungen automatisch gespeichert, und das System kehrt zur vorherigen Temperatureinstellung zurück.

Die meisten Stromfehler werden kurzfristig korrigiert. Ein ein- oder zweistündiger Stromausfall hat keinen Einfluss auf die Temperatur im Weinkühlschrank. Um eine plötzliche Temperaturänderung während der fehlenden Stromzufuhr zu vermeiden, wird empfohlen, die Tür nicht zu öffnen. Bei einem längerfristigen Stromausfall müssen Maßnahmen getroffen werden, um den Wein zu schützen.

PeVino

ANLEITUNG ZUR FEHLERFINDUNG

Die meisten gewöhnlichen Probleme lassen sich leicht lösen, so dass Sie Kosten sparen können, die durch einen Serviceanruf entstehen würden. Lesen Sie bitte die Bedienungsanleitung gründlich durch und kommen Sie zur Anleitung zur Fehlerfindung zurück.

| PROBLEM | MÖGLICHE URSACHE |
|--|---|
| Der Weinkühlschrank funktioniert nicht | Es ist kein Strom angeschlossen. Der Weinkühlschrank ist ausgeschaltet. Das Relais ist eingeschaltet oder eine Sicherung ist defekt. |
| Der Weinkühlschrank kühlt nicht ausreichend. | Überprüfen Sie die Temperatureinstellung. Die Außenumgebung kann Anlass zu einer Änderung der Einstellungen geben. Die Tür wird zu häufig geöffnet Die Tür ist nicht ganz geschlossen. Die Türdichtung ist nicht komplett dicht. |
| Zu häufiges Ein- und Ausschalten. | Die Raumtemperatur ist höher als gewöhnlich. Die Tür wird zu häufig geöffnet Die Tür ist nicht ganz geschlossen. Die Türdichtung ist nicht komplett dicht. Der Temperaturkontrolle ist nicht korrekt eingestellt. |
| Das Licht funktioniert nicht. | Es ist kein Strom angeschlossen. Der Weinkühlschrank ist ausgeschaltet. Das Relais ist eingeschaltet oder eine Sicherung ist defekt. Die Birne ist kaputt. Das Licht ist am Display ausgeschaltet. |
| Vibrationen | Sorgen Sie dafür dass der Weinkühlschrank optimal waagrecht und senkrecht ausgerichtet ist. |
| Der Weinkühlschrank scheint zu viele Geräusche zu verursachen. | Ein rasselndes Geräusch kann vom Zirkulieren des Kühlgases stammen, was völlig normal ist. Am Ende eines jeden Kühlzyklus können wegen der Kühlflüssigkeit im System gluckernde Geräusche auftreten. Knackende/schnalzende Geräusche - Folge des Zusammenziehens und Erweiterns des Kühlmittelgases, um Kälte zu produzieren. Der Weinkühlschrank steht nicht ganz waagrecht. Der Weinkühlschrank kann die Wärme wegen fehlender Belüftung nicht absondern und muss deshalb mehr arbeiten, um Kälte zu produzieren. |
| Die Tür schließt nicht richtig. | Der Weinkühlschrank steht nicht ganz waagrecht. Die Tür war nicht richtig montiert oder der Türanschlag war nicht korrekt. Fehler an der Dichtung der Tür (Magnet oder Gummi defekt). Die Regalböden sind nicht richtig eingesetzt und blockieren die Tür. |